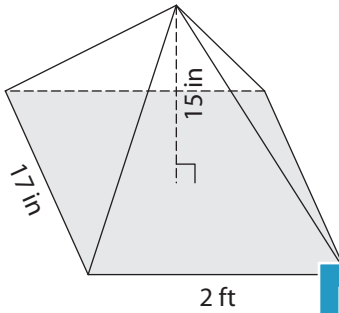


Name : _____

Volume - Rectangular Pyramid

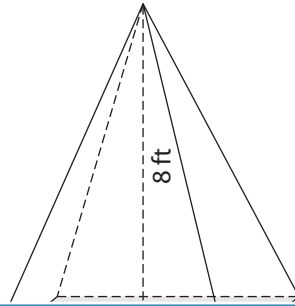
A) Find the volume of each rectangular pyramid. Round your answer to two decimal places.

1)



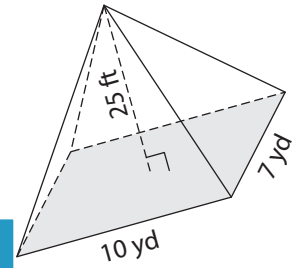
Volume = _____

2)



Volume = _____

3)



Volume = _____ yd³

B) Find the volume of each rectangular pyramid. Round your answer to two decimal places.

4) width = 25 in ; height = 2 ft

Volume = _____

6) height = 18 in ; length = 5 ft

Volume = _____ yd³

PREVIEW

Gain complete access to the largest collection of worksheets in all subjects!

Members, please log in to download this worksheet.

Not a member? Please sign up to gain complete access.

www.mathworksheets4kids.com

5) length = 9 ft ; height = 13 yd

Volume = _____ ft³

Volume = _____ ft³

length = 11 yd ; height = 26 yd

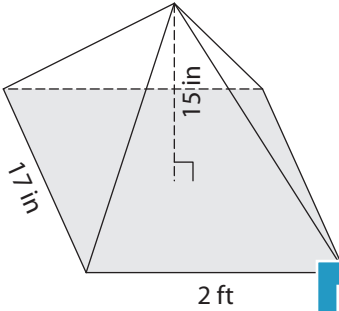
Volume = _____ yd³

8) The length, width and height of a rectangular pyramid are 27 inches, 1 foot and 29 inches respectively. What is the volume of the rectangular pyramid in cubic inches?

Volume - Rectangular Pyramid

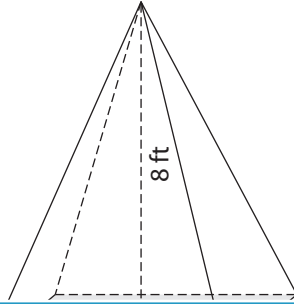
A) Find the volume of each rectangular pyramid. Round your answer to two decimal places.

1)

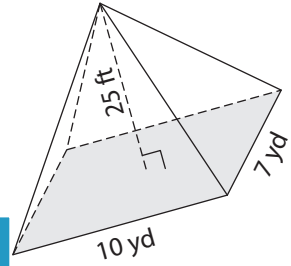


Volume = 2,040

2)



3)



Volume = 194.44 yd³

B) Find the volume of each rectangular pyramid. Round your answer to two decimal places.

4) width = 25 in ; height = 27 in

Volume = 6,300

6) height = 18 in ; length = 5 ft

Volume = 2.5 yd³

5) length = 10 yd ; width = 9 ft ; height = 13 yd

Volume = 10 ft³

7) length = 11 yd ; height = 26 yd

Volume = 953.33 yd³

8) The length, width and height of a rectangular pyramid are 27 inches, 1 foot and 29 inches respectively. What is the volume of the rectangular pyramid in cubic inches?

3,132 cubic inches

PREVIEW

Gain complete access to the largest collection of worksheets in all subjects!

Members, please log in to download this worksheet.

Not a member? Please sign up to gain complete access.

www.mathworksheets4kids.com