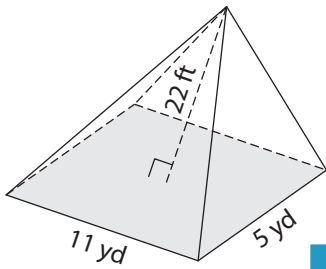


Name : \_\_\_\_\_

# Volume - Rectangular Pyramid

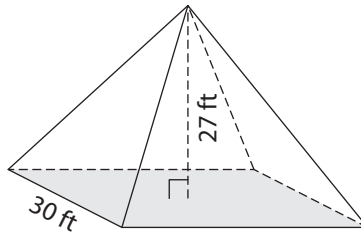
A) Find the volume of each rectangular pyramid. Round your answer to two decimal places.

1)



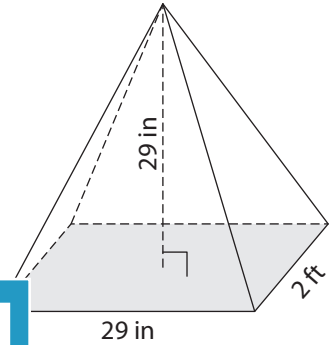
Volume = \_\_\_\_\_

2)



Volume = \_\_\_\_\_

3)



Volume = \_\_\_\_\_ in<sup>3</sup>

B) Find the volume of each rectangular pyramid. Round your answer to two decimal places.

4) height = 2 yd ; length = 20 yd ; width = 10 yd

Volume = \_\_\_\_\_

6) length = 14 in ; width = 10 in ; height = 12 in

Volume = \_\_\_\_\_ in<sup>3</sup>

**PREVIEW**

Gain complete access to the largest collection of worksheets in all subjects!

Members, please log in to download this worksheet.

Not a member? Please sign up to gain complete access.

[www.mathworksheets4kids.com](http://www.mathworksheets4kids.com)

5) length = 17 ft ; width = 12 ft ; height = 13 ft

Volume = \_\_\_\_\_ ft<sup>3</sup>

Volume = \_\_\_\_\_ ft<sup>3</sup>

7) length = 3 yd ; length = 7 yd ; height = 5 yd

Volume = \_\_\_\_\_ yd<sup>3</sup>

8) Determine the volume of the rectangular pyramid in cubic feet whose length, width and height are 29 inches, 2 feet and 13 feet respectively. Round your answer to two decimal places.

\_\_\_\_\_

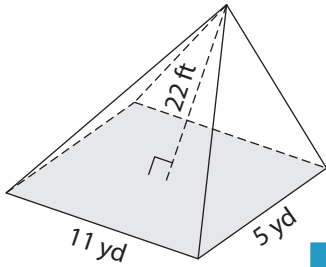
Name : \_\_\_\_\_

### Answer key

## Volume - Rectangular Pyramid

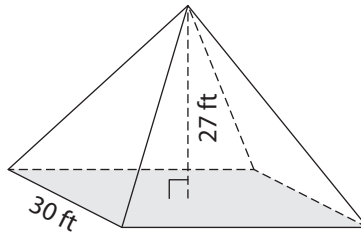
A) Find the volume of each rectangular pyramid. Round your answer to two decimal places.

1)

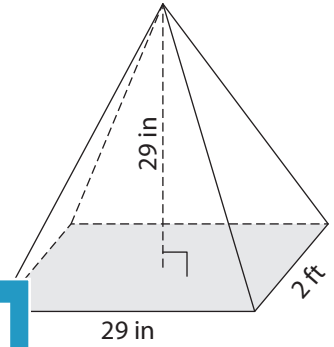


Volume = 134.44

2)



3)



Volume = 6,728 in<sup>3</sup>

B) Find the volume of each rectangular pyramid. Round your answer to two decimal places.

4) height = 2 yd ; length = 20 yd ; width = 10 yd

Volume = 11,856

6) length = 14 in ; width = 10 in ; height = 12 in

Volume = 1,120 in<sup>3</sup>

5) length = 17 ft ; width = 10 ft ; height = 12 ft

length = 17 ft ; length = 28 yd ; width = 10 yd

Volume = 948 ft<sup>3</sup>

length = 3 yd ; length = 7 yd ; width = 10 yd

Volume = 5.25 yd<sup>3</sup>

8) Determine the volume of the rectangular pyramid in cubic feet whose length, width and height are 29 inches, 2 feet and 13 feet respectively. Round your answer to two decimal places.

20.94 cubic feet

**PREVIEW**

Gain complete access to the largest collection of worksheets in all subjects!

Members, please log in to download this worksheet.

Not a member? Please sign up to gain complete access.

[www.mathworksheets4kids.com](http://www.mathworksheets4kids.com)