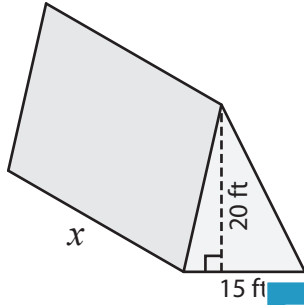


Volume - Triangular Prism

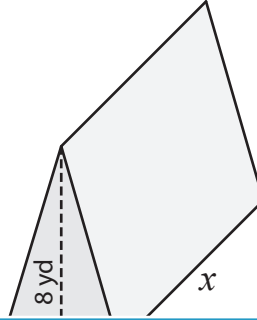
Find the value of x .

1) Volume = $3,750 \text{ ft}^3$

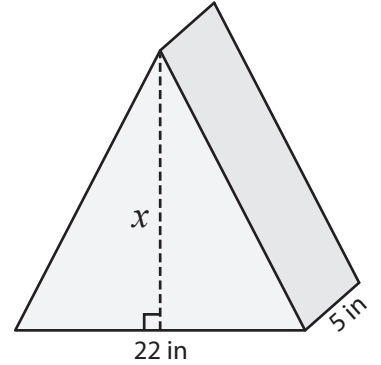


$x =$ _____

2) Volume = 120 yd^3

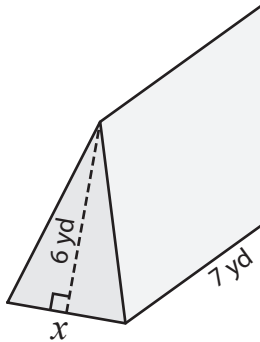


3) Volume = $1,485 \text{ in}^3$



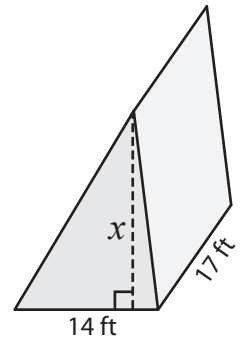
$x =$ _____

4) Volume = 84 yd^3



$x =$ _____

Volume = $2,737 \text{ ft}^3$



$x =$ _____

7) The length of a triangular prism is 10 feet. Find the length of the base of the prism, if its base is a right-angled triangle with a hypotenuse of 13 feet and a vertical height of 5 feet.

8) The base of a prism is a triangle whose base and height are 29 yards and 26 yards respectively. If the volume of the prism is 6,409 cubic yards, determine its length.

PREVIEW

Gain complete access to the largest collection of worksheets in all subjects!

Members, please log in to download this worksheet.

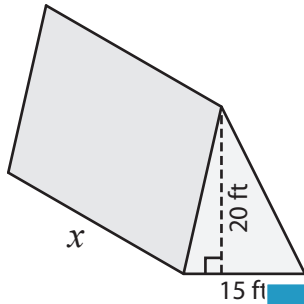
Not a member? Please sign up to gain complete access.

www.mathworksheets4kids.com

Volume - Triangular Prism

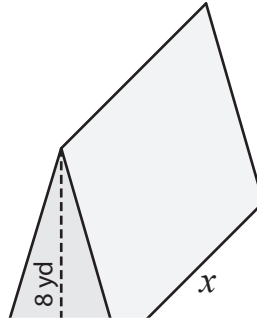
Find the value of x .

1) Volume = $3,750 \text{ ft}^3$

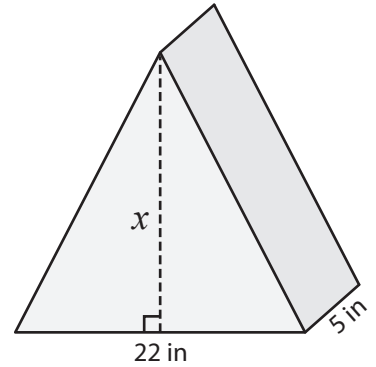


$x =$ 25 ft

2) Volume = 120 yd^3

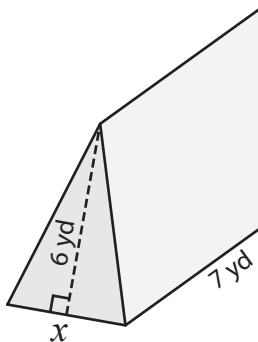


3) Volume = $1,485 \text{ in}^3$



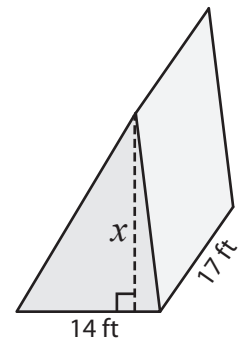
$x =$ 27 in

4) Volume = 84 yd^3



$x =$ 4 yd

Volume = $2,737 \text{ ft}^3$



$x =$ 23 ft

7) The length of a triangular prism is 17 feet. Find the length of a triangular prism, if its base is 18 feet and its height is 9 feet.

9 feet

8) The base of a prism is a triangle whose base and height are 29 yards and 26 yards respectively. If the volume of the prism is 6,409 cubic yards, determine its length.

17 yards

PREVIEW

Gain complete access to the largest collection of worksheets in all subjects!

Members, please log in to download this worksheet.

Not a member? Please sign up to gain complete access.

www.mathworksheets4kids.com