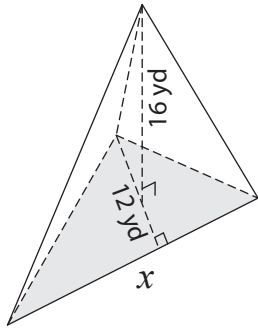


Volume - Triangular Pyramid

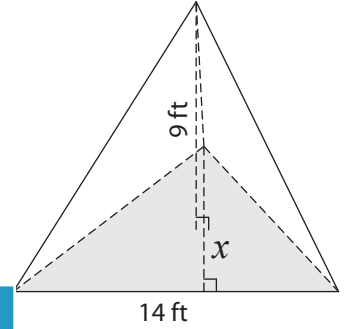
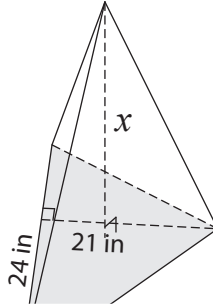
Find the value of x .

1) Volume = 672 yd^3



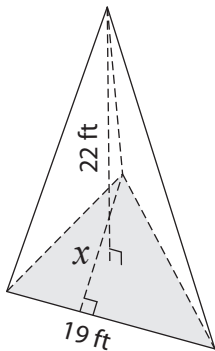
$x =$ _____

2) Volume = $2,268 \text{ in}^3$



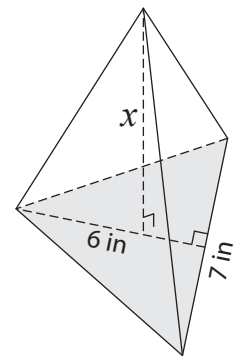
$x =$ _____

4) Volume = $1,045 \text{ ft}^3$



$x =$ _____

Volume = 49 in^3



$x =$ _____

7) The volume of a triangular base triangle of the pyramid is _____

_____ ds. Find the height of the pyramid.

PREVIEW

Gain complete access to the largest collection of worksheets in all subjects!

Members, please log in to download this worksheet.

Not a member? Please sign up to gain complete access.

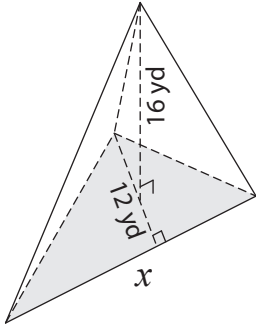
www.mathworksheets4kids.com

8) The base of a pyramid is a right angle triangle with legs measuring 3 feet and 12 feet. The volume of the triangular pyramid is 108 cubic feet, determine its height.

Volume - Triangular Pyramid

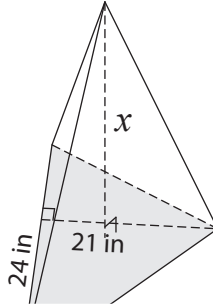
Find the value of x .

1) Volume = 672 yd^3

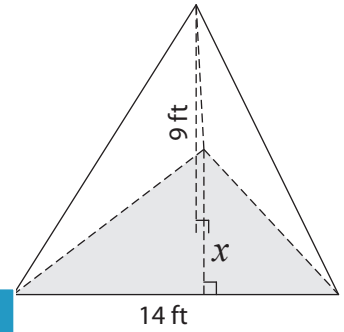


$x =$ 21 yd

2) Volume = $2,268 \text{ in}^3$

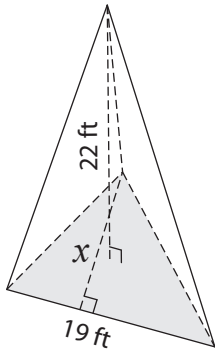


3) Volume = 126 ft^3



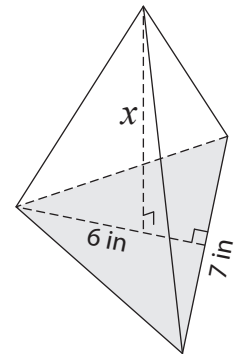
$x =$ 6 ft

4) Volume = $1,045 \text{ ft}^3$



$x =$ 15 ft

Volume = 49 in^3



$x =$ 7 in

7) The volume of a triangular pyramid is $1,744 \text{ yd}^3$. The height of the pyramid is 28 yards. Find the length of the hypotenuse of the base triangle of the pyramid.

28 yards

8) The base of a pyramid is a right angle triangle with legs measuring 3 feet and 12 feet. The volume of the triangular pyramid is 108 cubic feet, determine its height.

18 feet

PREVIEW

Gain complete access to the largest collection of worksheets in all subjects!

Members, please log in to download this worksheet.

Not a member? Please sign up to gain complete access.

www.mathworksheets4kids.com