

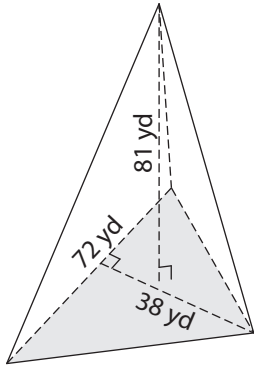
Name : _____

Volume - Triangular Pyramid

MS3

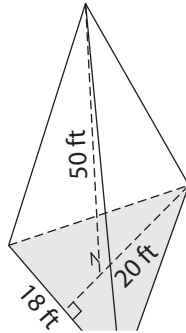
Find the volume of each triangular pyramid. Round your answer to two decimal places.

1)

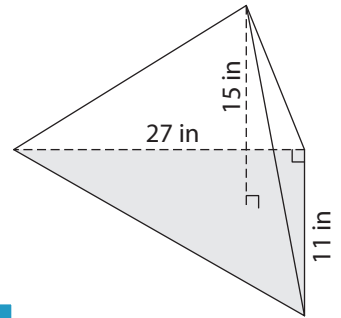


Volume = _____

2)

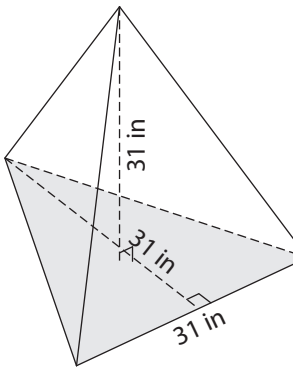


3)



Volume = _____

4)



Volume = _____

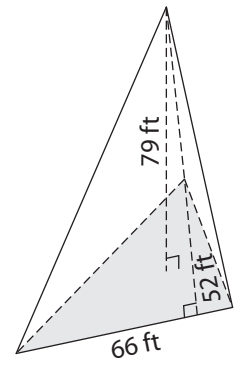
PREVIEW

Gain complete access to the largest collection of worksheets in all subjects!

Members, please log in to download this worksheet.

Not a member? Please sign up to gain complete access.

www.mathworksheets4kids.com



Volume = _____

7) The base of a pyramid is a right triangle with legs measuring 47 feet and 68 feet. If the height of the pyramid is 64 feet, find the volume.

Find the volume of the pyramid.

8) The base of a pyramid is a right triangle with legs measuring 47 feet and 68 feet. If the height of the pyramid is 55 feet, determine the volume. Round your answer to two decimal places.

Name : _____

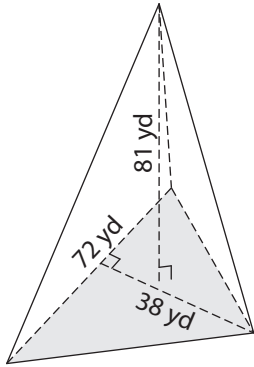
Answer key

MS3

Volume - Triangular Pyramid

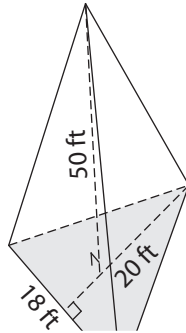
Find the volume of each triangular pyramid. Round your answer to two decimal places.

1)

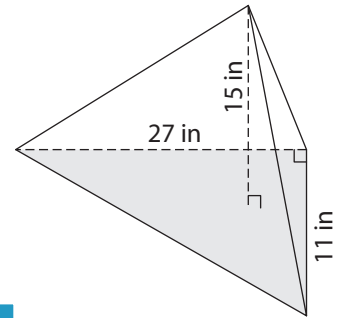


Volume = 36,936 yd³

2)

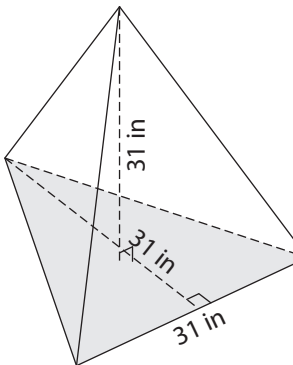


3)



Volume = 742.5 in³

4)



Volume = 4,965.17 in³

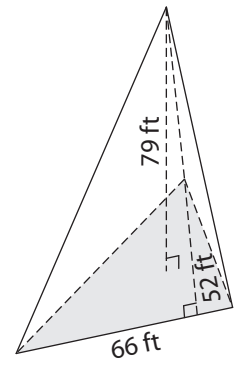
PREVIEW

Gain complete access to the largest collection of worksheets in all subjects!

Members, please log in to download this worksheet.

Not a member? Please sign up to gain complete access.

www.mathworksheets4kids.com



Volume = 45,188 ft³

7) The base of a pyramid is a right triangle with legs measuring 72 yards and 38 yards. Find the volume of the pyramid, if its height is 81 yards.

80,640 cubic yards

8) The base of a pyramid is a right triangle with legs measuring 47 feet and 68 feet. If the height of the pyramid is 55 feet, determine the volume. Round your answer to two decimal places.

29,296.67 cubic feet