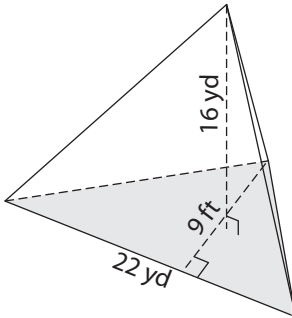


Name : _____

Volume - Triangular Pyramid

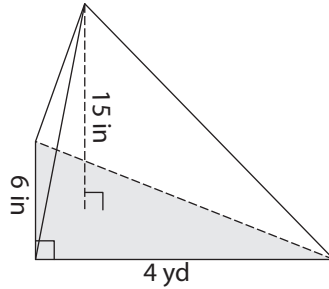
Find the volume of each triangular pyramid. Round your answer to two decimal places.

1)

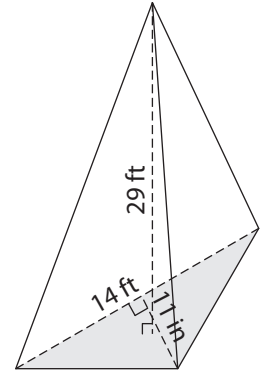


Volume = _____

2)

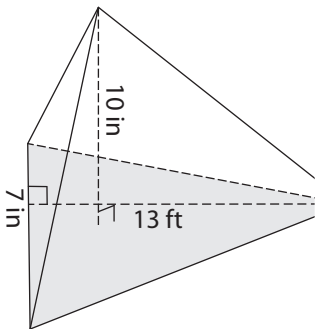


3)



Volume = _____ ft³

4)



Volume = _____

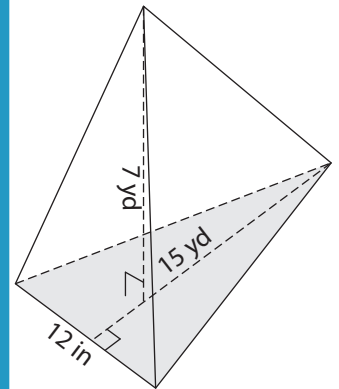
PREVIEW

Gain complete access to the largest collection of worksheets in all subjects!

Members, please log in to download this worksheet.

Not a member? Please sign up to gain complete access.

www.mathworksheets4kids.com



Volume = _____ yd³

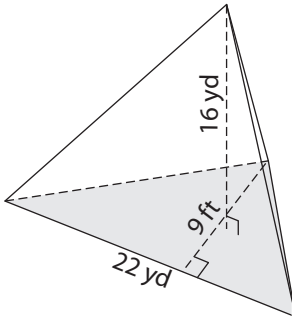
7) The base of a pyramid is a right triangle with legs measuring 10 inches and 5 inches. If the height of the pyramid is 22 yards, find the volume.

8) The base of a pyramid is a right triangle with legs measuring 10 inches and 5 inches. If the height of the pyramid is 4 feet, determine its volume in cubic inches.

Volume - Triangular Pyramid

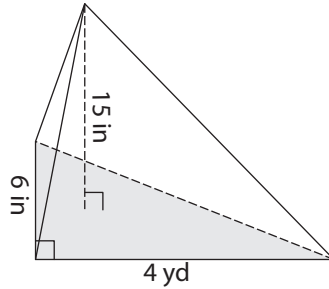
Find the volume of each triangular pyramid. Round your answer to two decimal places.

1)



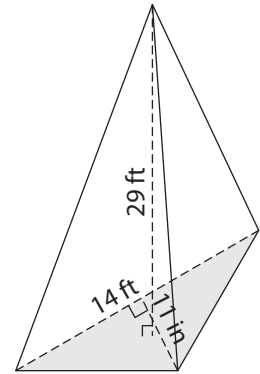
Volume = 176

2)

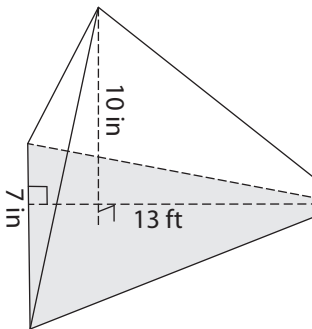


Volume = 62.03 ft³

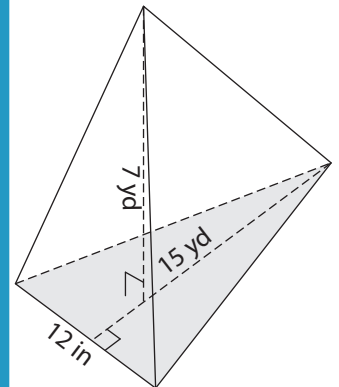
3)



4)



Volume = 1,820



Volume = 5.83 yd³

7) The base of a pyramid is a right triangle with legs measuring 10 yards and 12 yards. If the height of the pyramid is 22 yards, find the volume.

44.51 cubic yards

8) The base of a pyramid is a right triangle with legs measuring 10 inches and 5 inches. If the height of the pyramid is 4 feet, determine its volume in cubic inches.

400 cubic inches

PREVIEW

Gain complete access to the largest collection of worksheets in all subjects!

Members, please log in to download this worksheet.

Not a member? Please sign up to gain complete access.

www.mathworksheets4kids.com