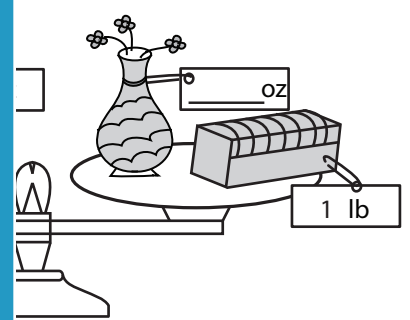
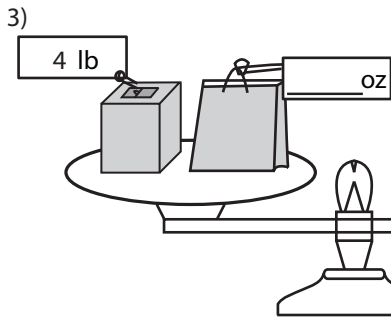
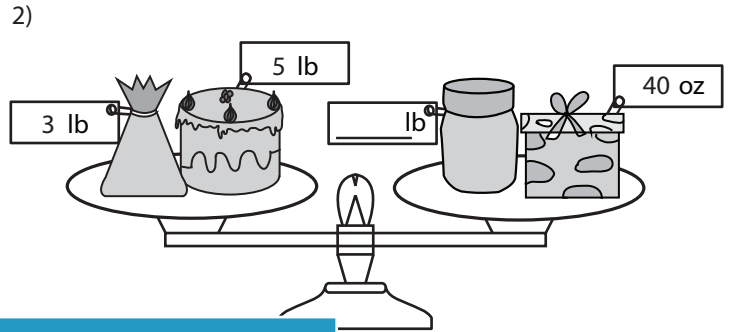
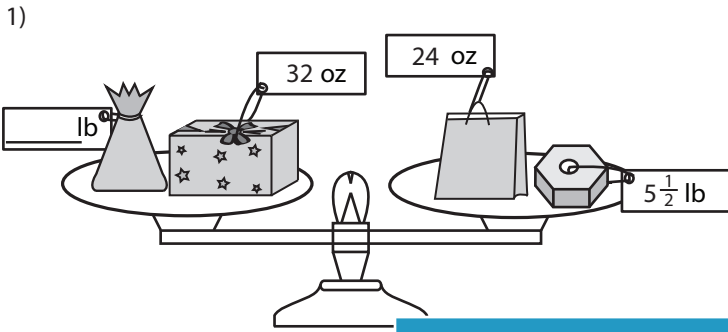


Balancing Scale - Customary Units

DS3

Calculate the unknown weight to balance each scale.



PREVIEW

Access the largest collection of
worksheets for just **\$19.95** per year!

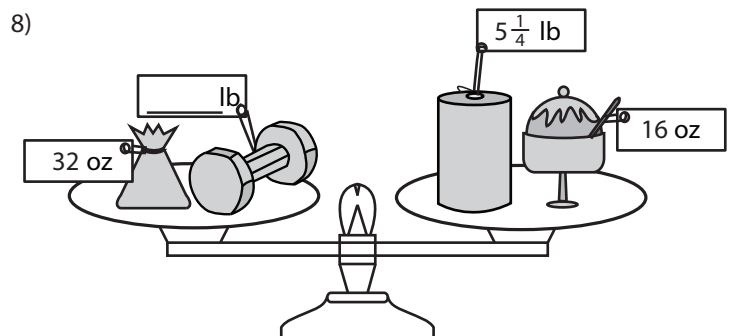
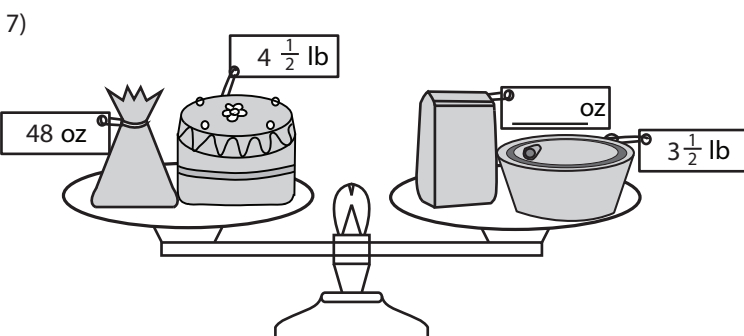
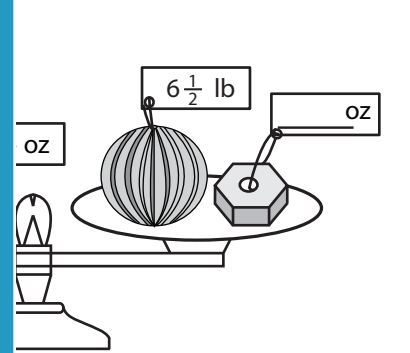
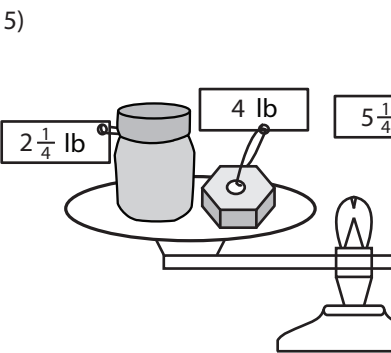
Members, please
log in to
download this
worksheet.

Log in

Not a member?
Please sign up to
gain complete
access.

Sign up

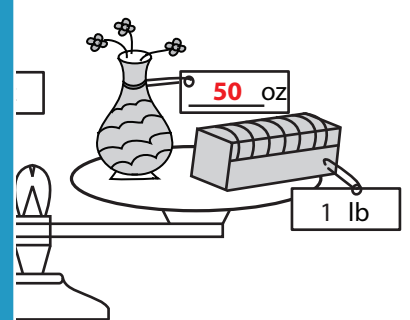
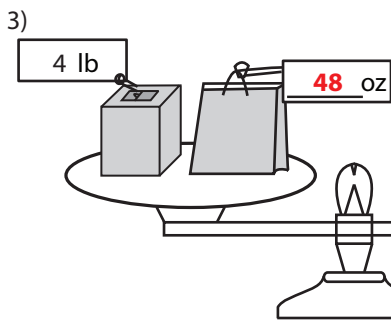
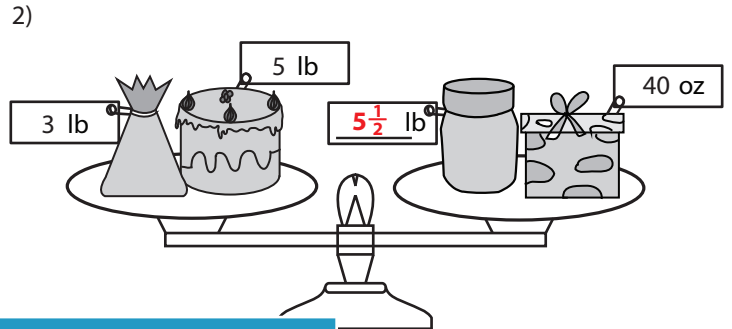
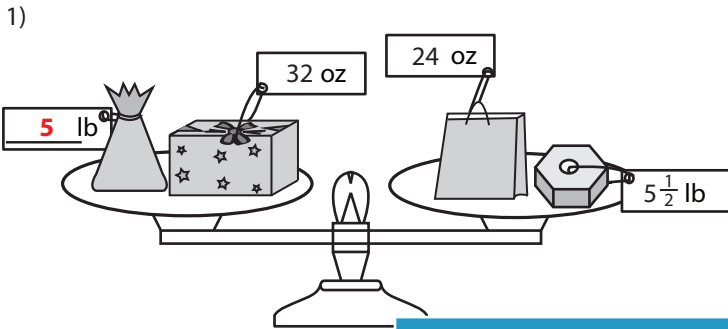
www.mathworksheets4kids.com



Balancing Scale - Customary Units

DS3

Calculate the unknown weight to balance each scale.



PREVIEW

Access the largest collection of
worksheets for just **\$19.95** per year!

Members, please
log in to
download this
worksheet.

Log in

Not a member?
Please sign up to
gain complete
access.

Sign up

www.mathworksheets4kids.com

