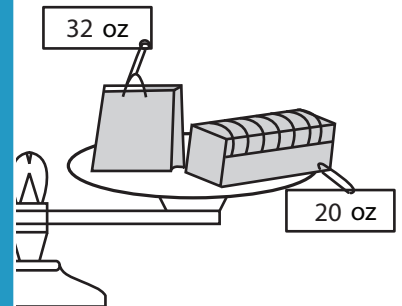
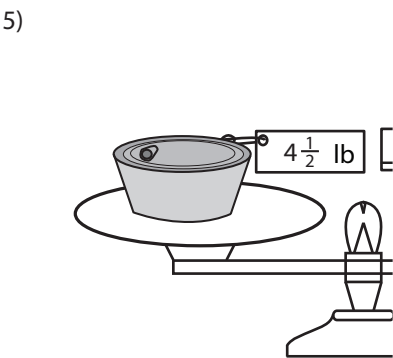
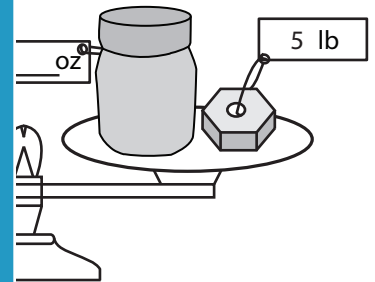
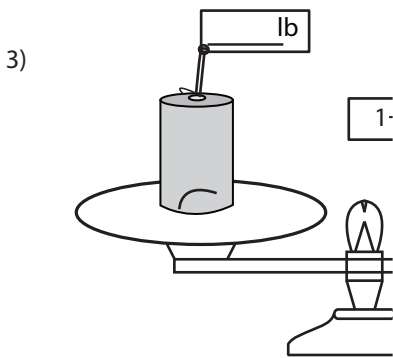
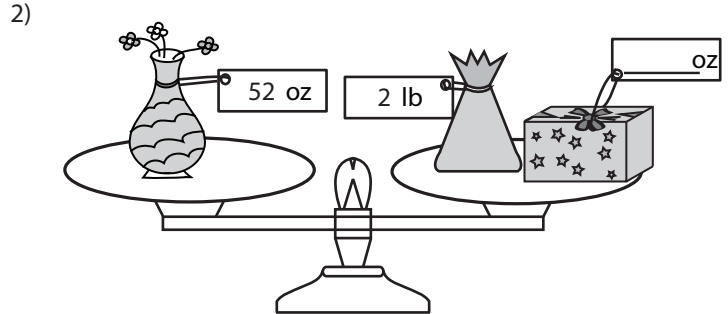
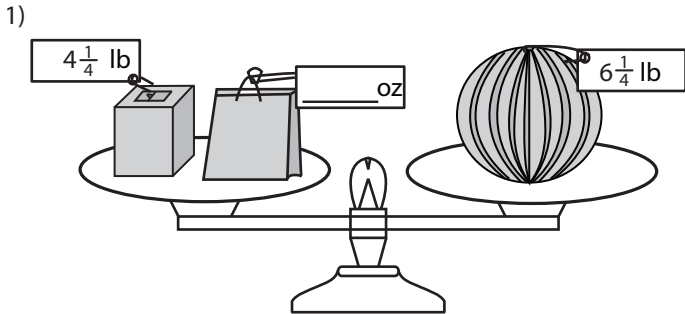


**Balancing Scale - Customary Units**

MS1

Calculate the unknown weight to balance each scale.



**PREVIEW**

Access the largest collection of worksheets for just **\$19.95** per year!

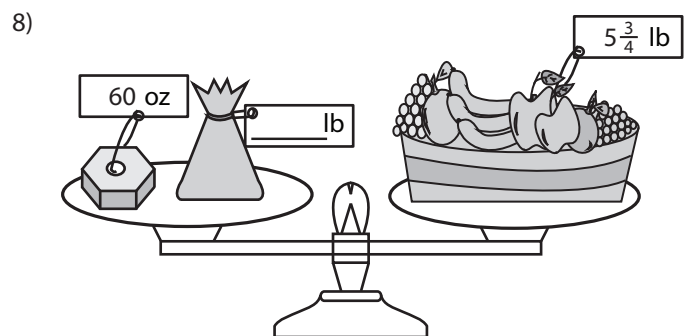
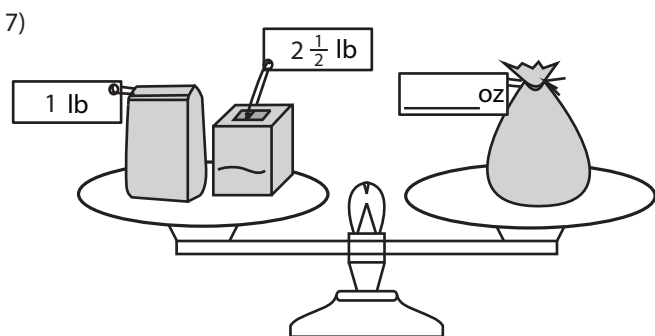
Members, please log in to download this worksheet.

**Log in**

Not a member? Please sign up to gain complete access.

**Sign up**

[www.mathworksheets4kids.com](http://www.mathworksheets4kids.com)

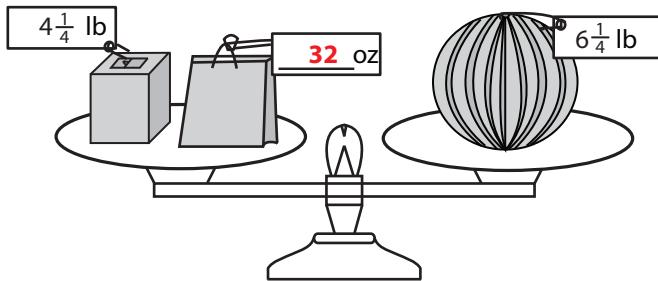


**Answer key****Balancing Scale - Customary Units**

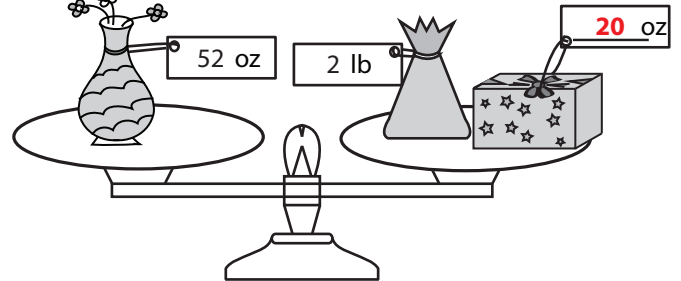
MS1

Calculate the unknown weight to balance each scale.

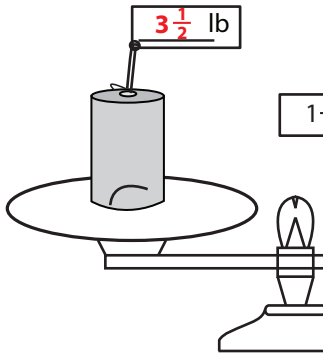
1)



2)



3)



**PREVIEW**

Access the largest collection of worksheets for just **\$19.95** per year!

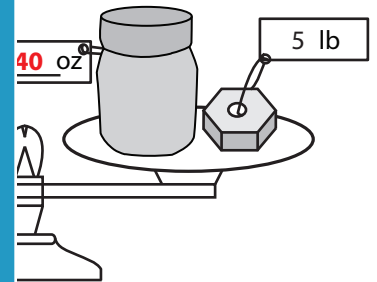
Members, please log in to download this worksheet.

**Log in**

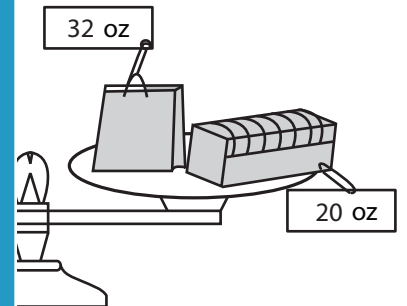
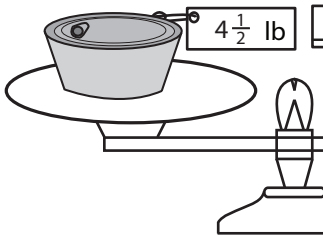
Not a member? Please sign up to gain complete access.

**Sign up**

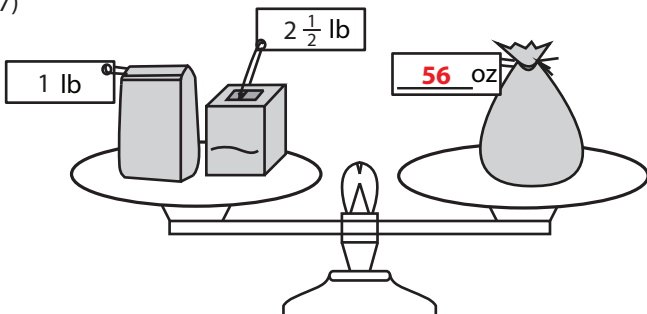
[www.mathworksheets4kids.com](http://www.mathworksheets4kids.com)



5)



7)



8)

