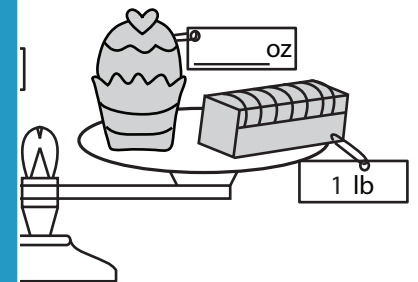
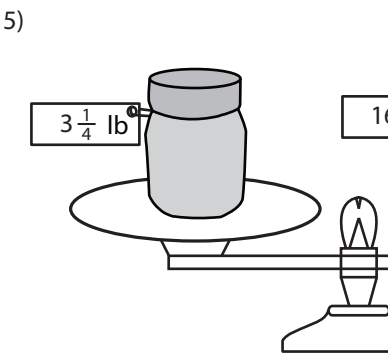
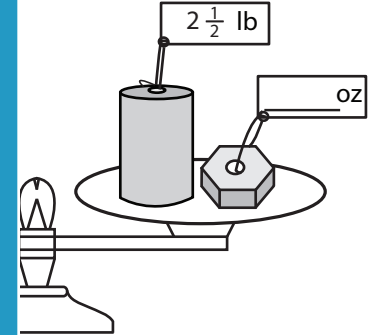
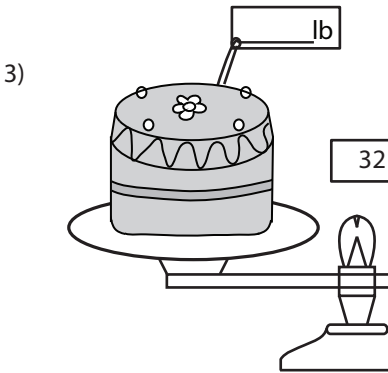
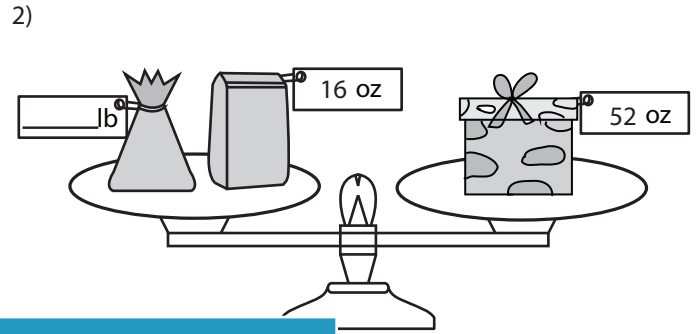
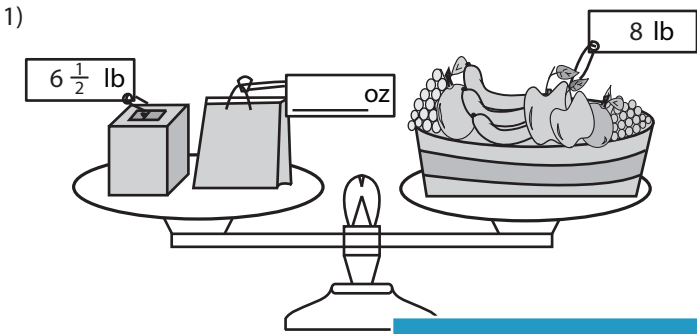


Balancing Scale - Customary Units

MS2

Calculate the unknown weight to balance each scale.



PREVIEW

Access the largest collection of worksheets for just **\$19.95** per year!

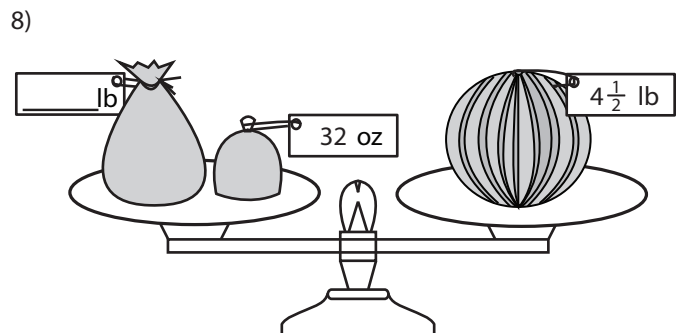
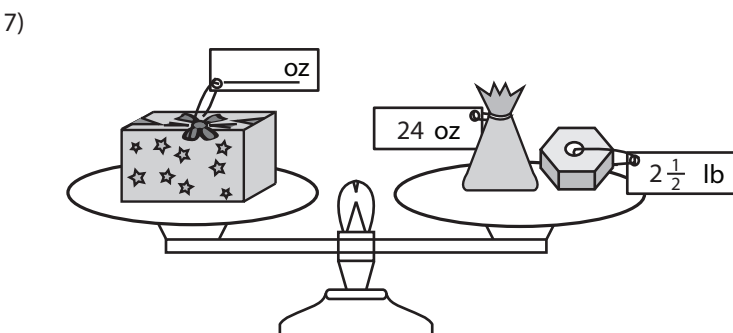
Members, please log in to download this worksheet.

Log in

Not a member? Please sign up to gain complete access.

Sign up

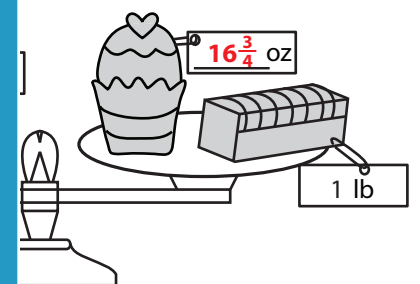
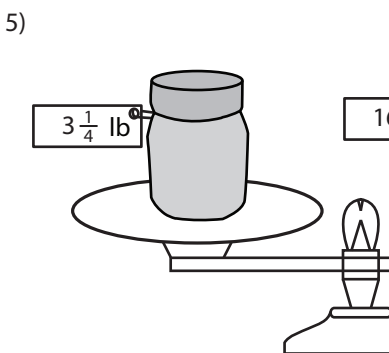
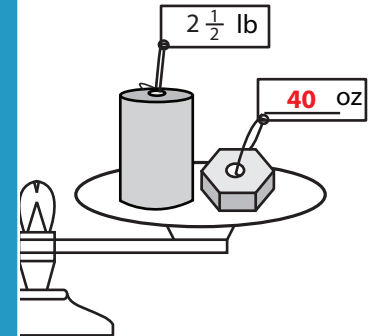
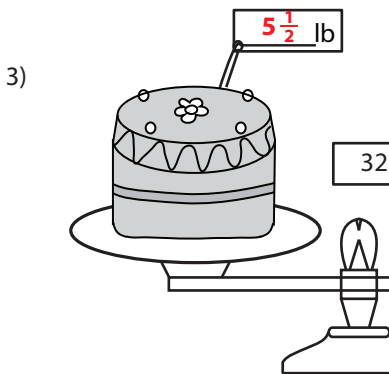
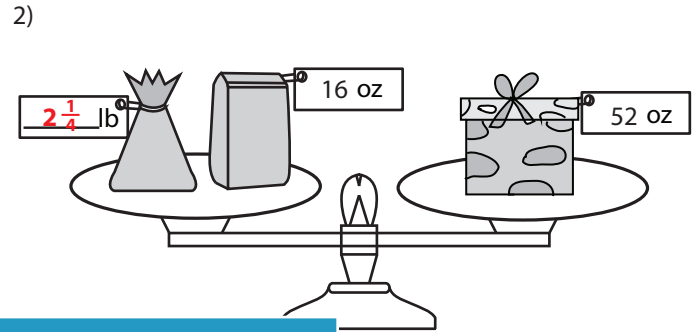
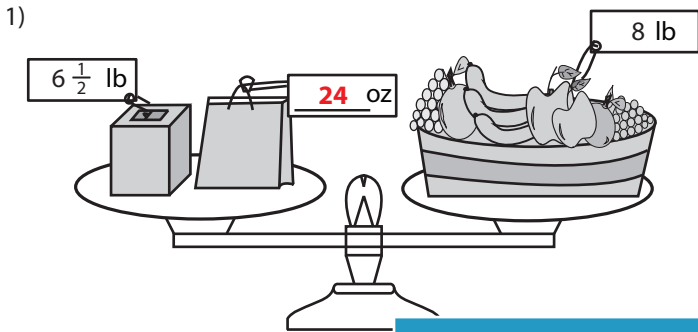
www.mathworksheets4kids.com



Answer key**Balancing Scale - Customary Units**

MS2

Calculate the unknown weight to balance each scale.



PREVIEW

Access the largest collection of
worksheets for just **\$19.95** per year!

Members, please
log in to
download this
worksheet.

Log in

Not a member?
Please sign up to
gain complete
access.

Sign up

www.mathworksheets4kids.com

