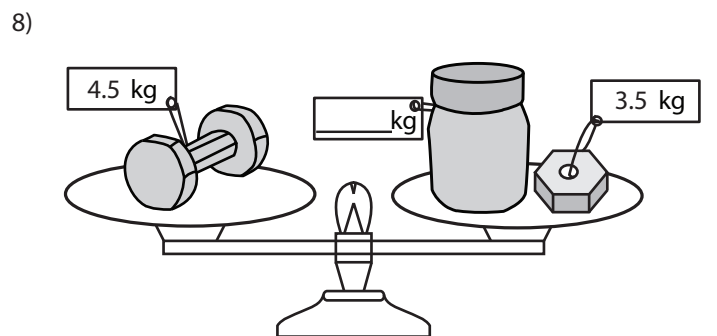
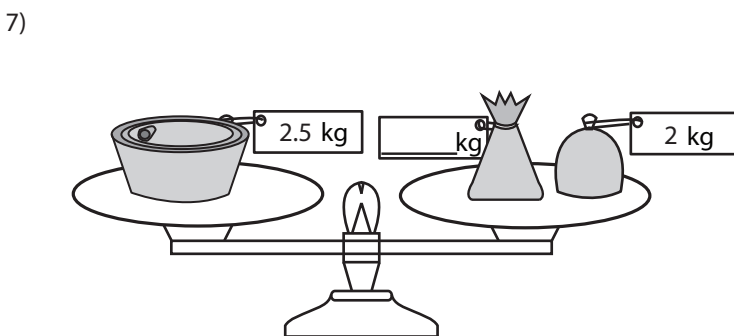
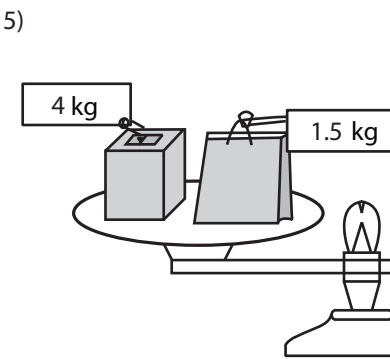
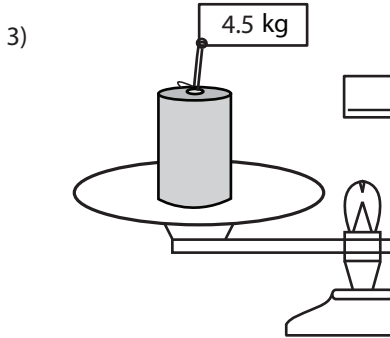
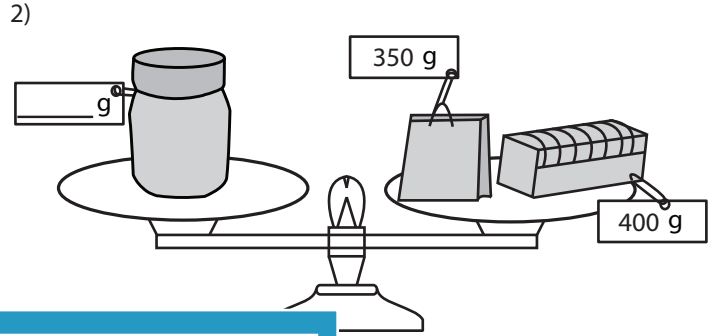
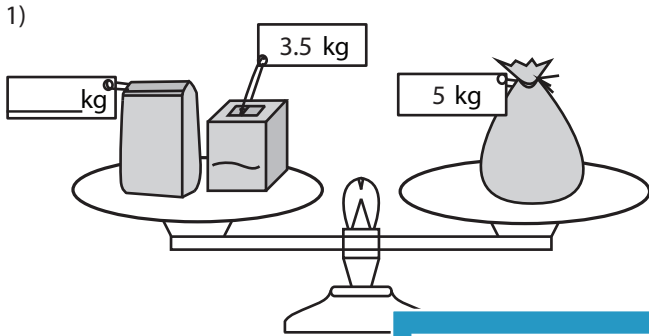


Balancing Scale - Metric Units

ES2

Calculate the unknown weight to balance each scale.



PREVIEW

Gain complete access to the largest collection of worksheets in all subjects!

Members, please log in to download this worksheet.

Not a member? Please sign up to gain complete access.

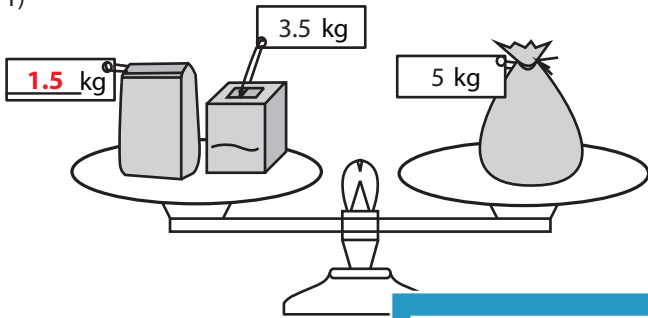
www.mathworksheets4kids.com

Answer key**Balancing Scale - Metric Units**

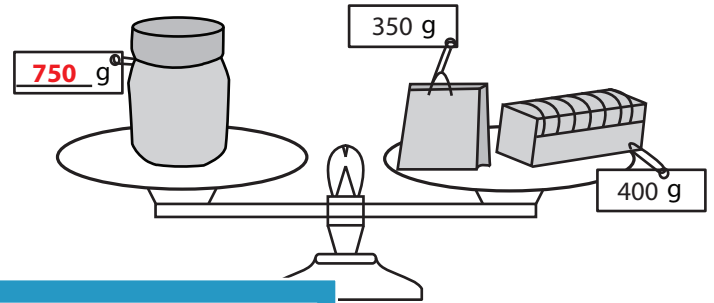
ES2

Calculate the unknown weight to balance each scale.

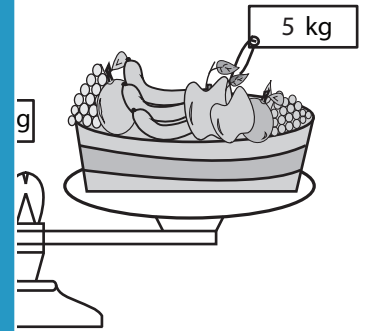
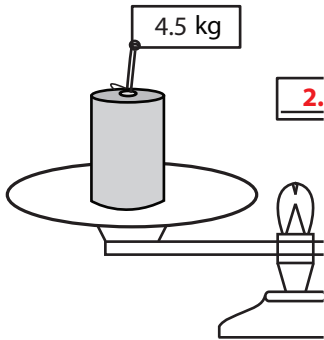
1)



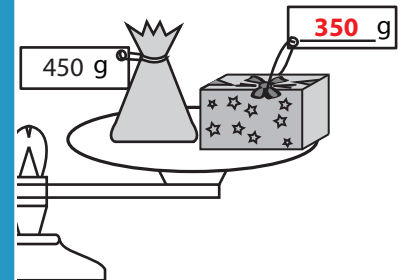
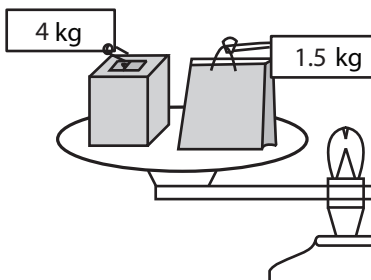
2)



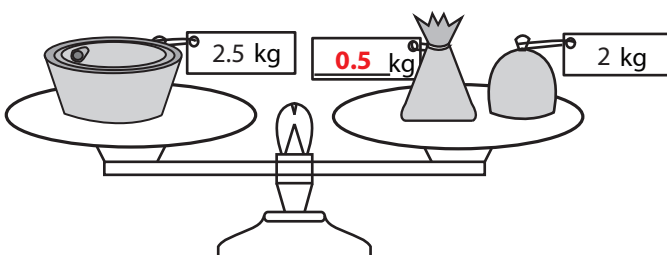
3)



5)

**PREVIEW**Gain complete access to the largest
collection of worksheets in all subjects!Members, please
log in to
download this
worksheet.Not a member?
Please sign up to
gain complete
access.www.mathworksheets4kids.com

7)



8)

