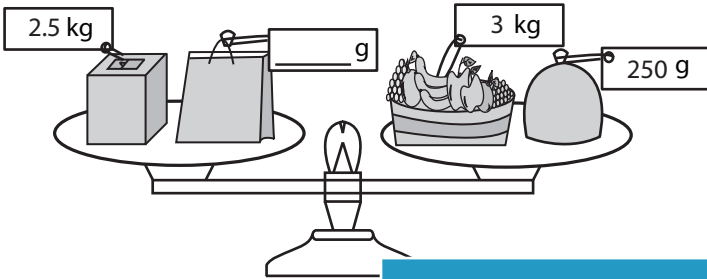


Balancing Scale - Metric Units

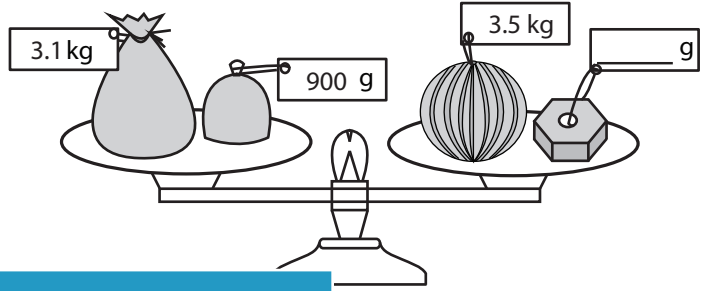
DS1

Calculate the unknown weight to balance each scale.

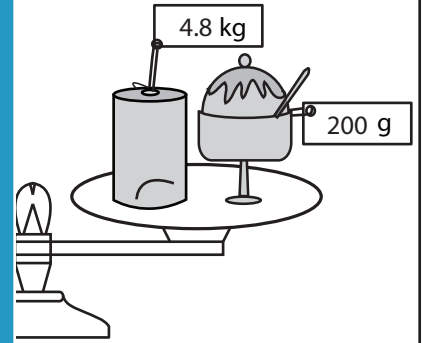
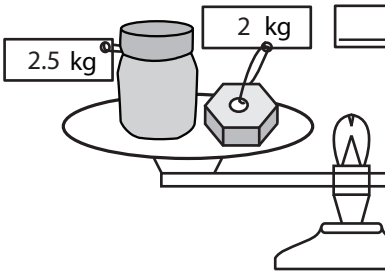
1)



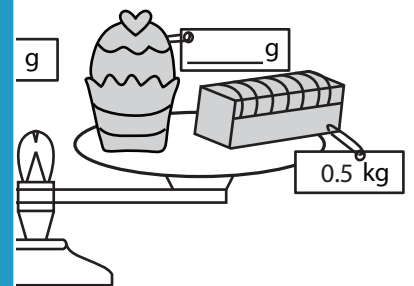
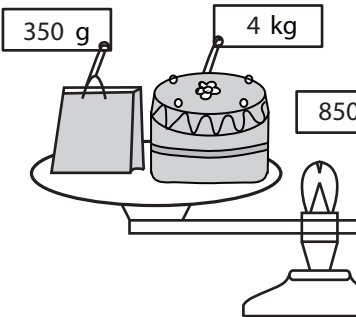
2)



3)



5)



PREVIEW

Access the largest collection of worksheets for just **\$19.95** per year!

Members, please log in to download this worksheet.

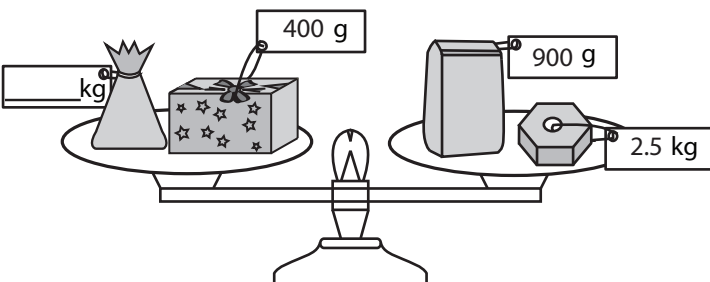
Log in

Not a member? Please sign up to gain complete access.

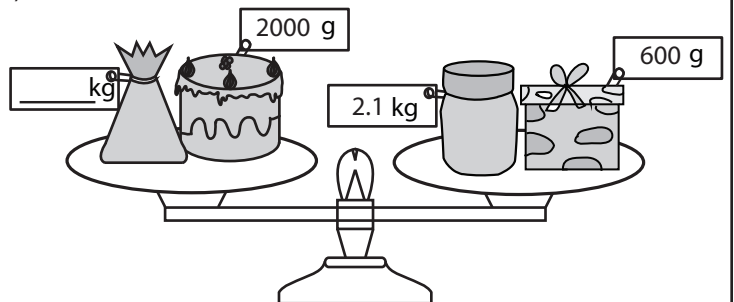
Sign up

www.mathworksheets4kids.com

7)



8)

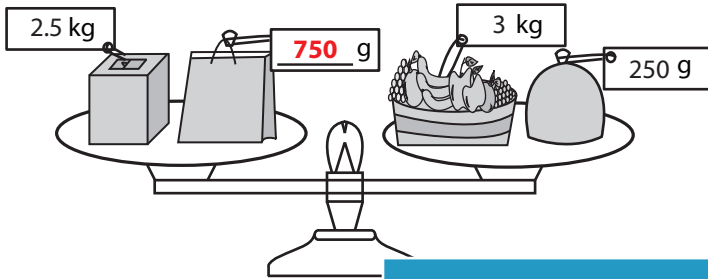


Answer key**Balancing Scale - Metric Units**

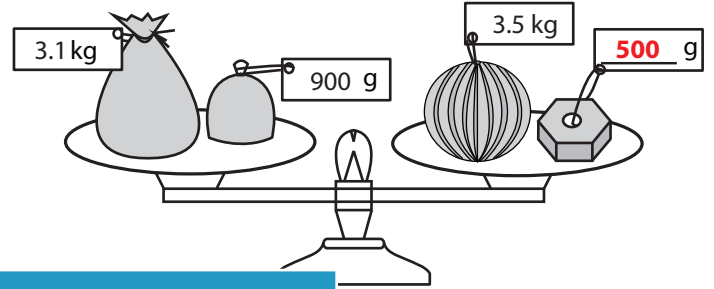
DS1

Calculate the unknown weight to balance each scale.

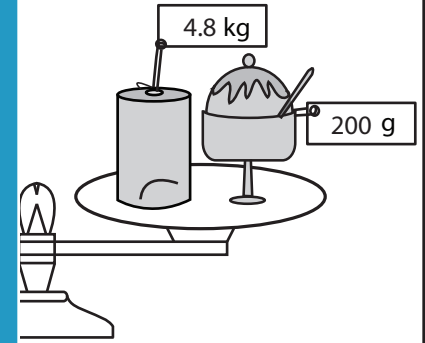
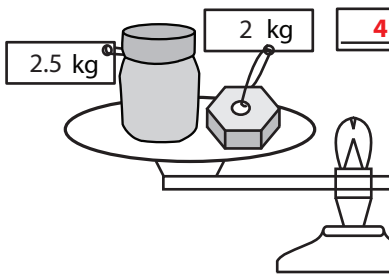
1)



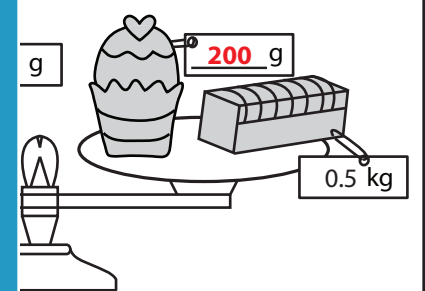
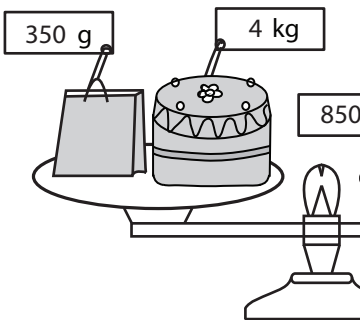
2)



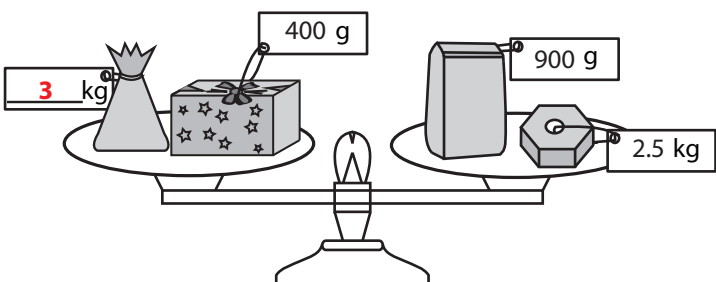
3)



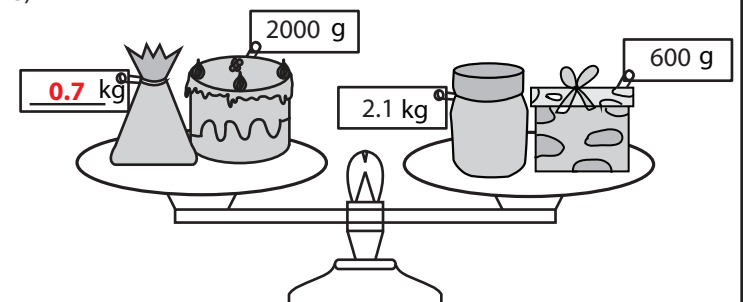
5)



7)



8)



PREVIEW

Access the largest collection of
worksheets for just **\$19.95** per year!

Members, please
log in to
download this
worksheet.

Log in

Not a member?
Please sign up to
gain complete
access.

Sign up

www.mathworksheets4kids.com