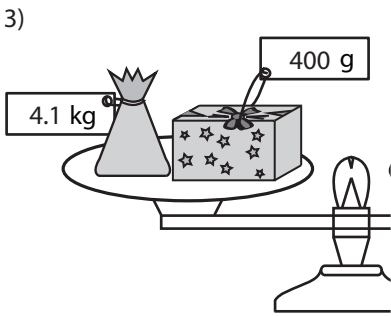
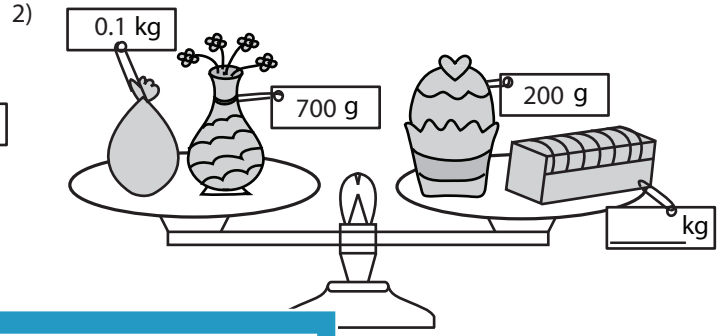
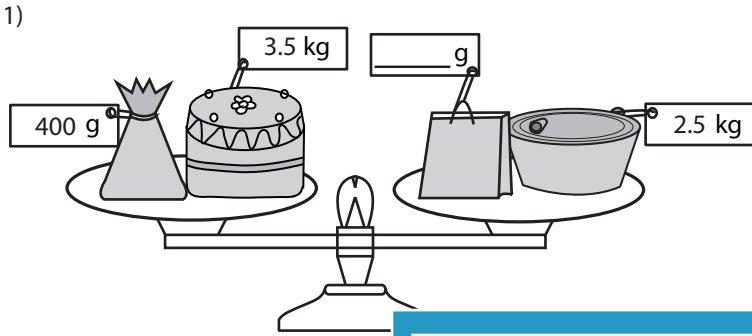


Balancing Scale - Metric Units

DS2

Calculate the unknown weight to balance each scale.



PREVIEW

Access the largest collection of worksheets for just **\$19.95** per year!

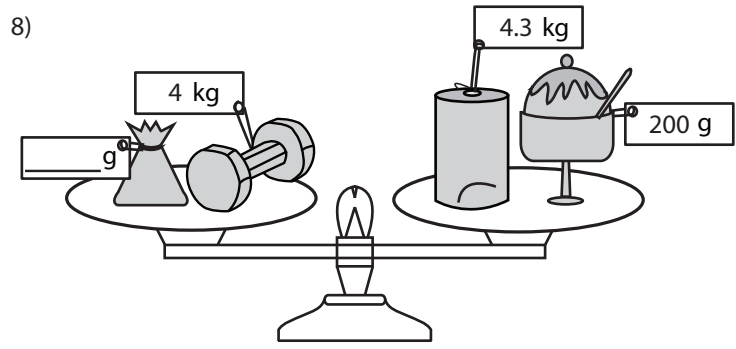
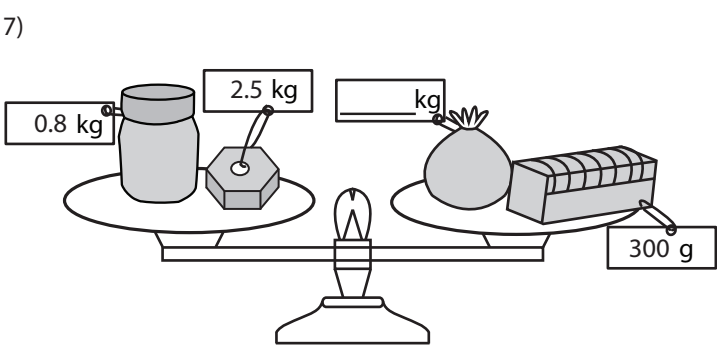
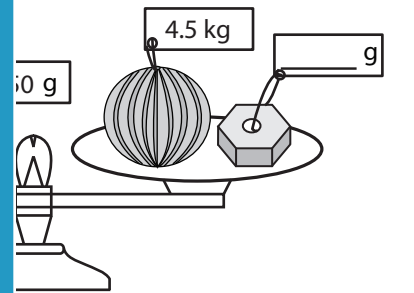
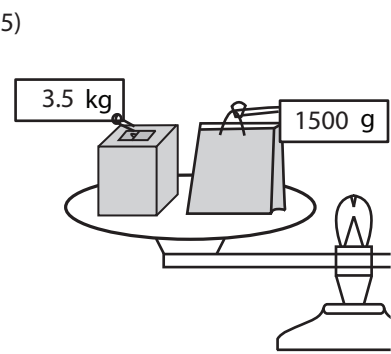
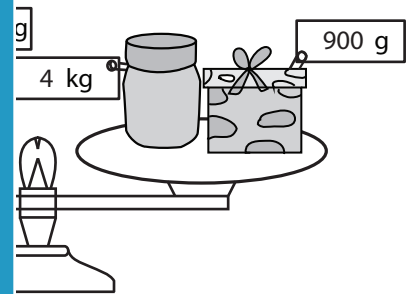
Members, please log in to download this worksheet.

Log in

Not a member? Please sign up to gain complete access.

Sign up

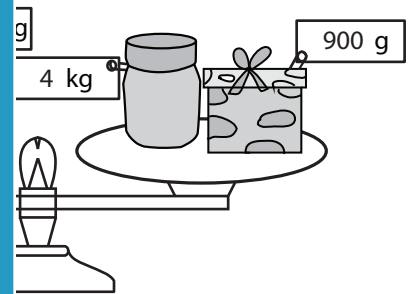
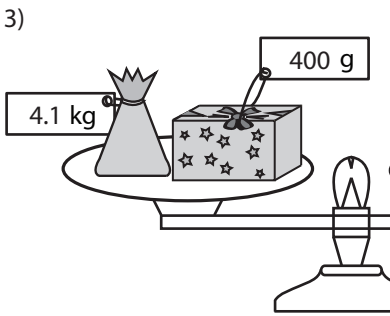
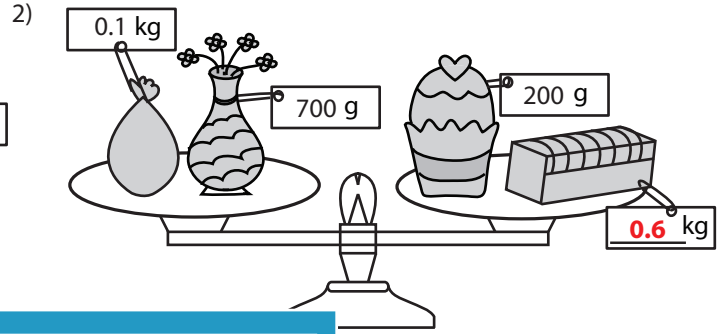
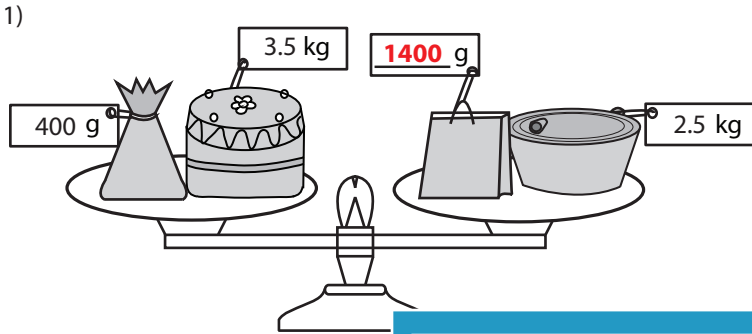
www.mathworksheets4kids.com



Balancing Scale - Metric Units

DS2

Calculate the unknown weight to balance each scale.



PREVIEW

Access the largest collection of worksheets for just **\$19.95** per year!

Members, please log in to download this worksheet.

Log in

Not a member? Please sign up to gain complete access.

Sign up

www.mathworksheets4kids.com

