

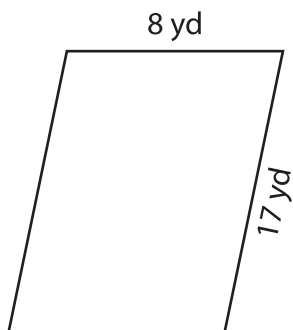
Name : \_\_\_\_\_

## Perimeter of a Parallelogram

L1S4

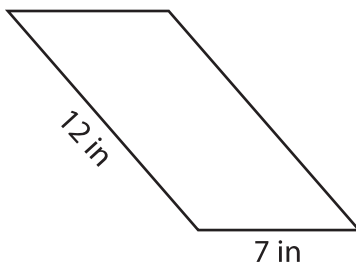
Find the perimeter of each parallelogram.

1)

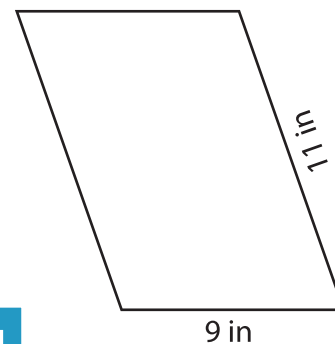


Perimeter = \_\_\_\_\_

2)

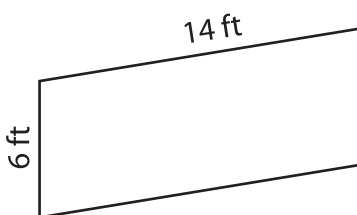


3)



Perimeter = \_\_\_\_\_

4)



Perimeter = \_\_\_\_\_

7) Determine the perimeter

\_\_\_\_\_

8) If the lengths of the adjacent sides of a parallelogram are 18 yards and 3 yards, find the perimeter of the parallelogram.

\_\_\_\_\_

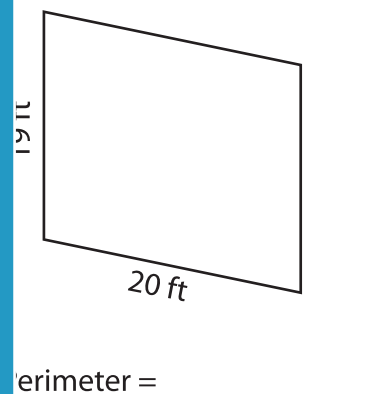
**PREVIEW**

Gain complete access to the largest collection of worksheets in all subjects!

Members, please log in to download this worksheet.

Not a member? Please sign up to gain complete access.

[www.mathworksheets4kids.com](http://www.mathworksheets4kids.com)



Perimeter = \_\_\_\_\_

sides are 4 feet and 5 feet.