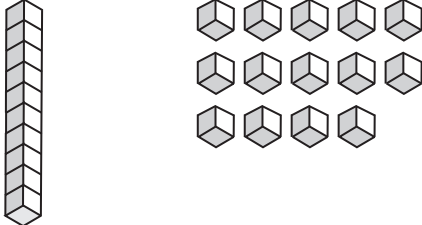


Place Value Blocks - 2 Digits

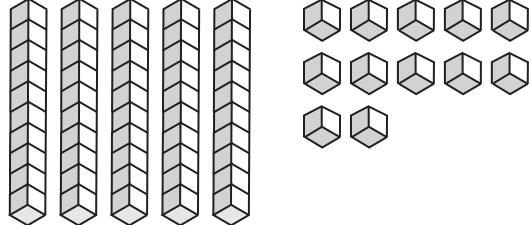
L2S2

Write the number formed by base ten blocks.

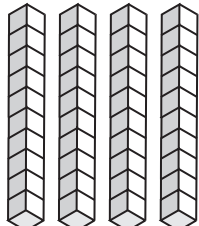
1)

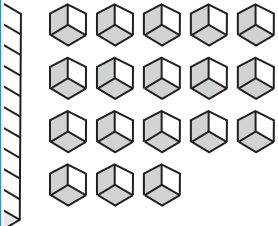


2)

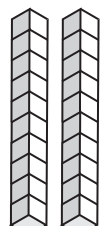


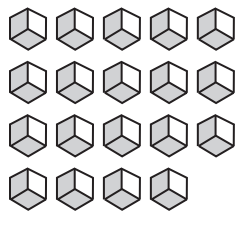
3)





5)





PREVIEW

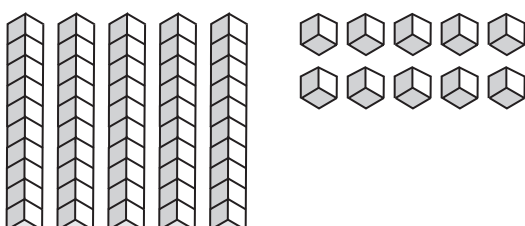
Gain complete access to the largest collection of worksheets in all subjects!

Members, please log in to download this worksheet.

Not a member? Please sign up to gain complete access.

www.mathworksheets4kids.com

7)



8)

