

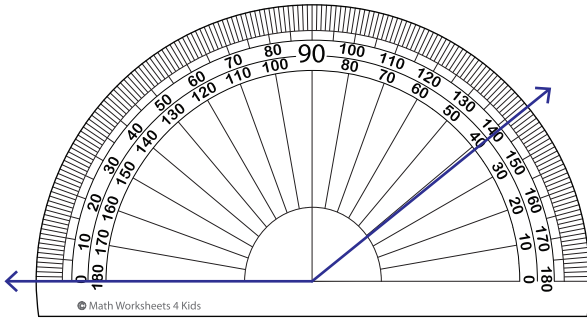
Name : \_\_\_\_\_

# Reading a Protractor

Inner & outer scales: S4

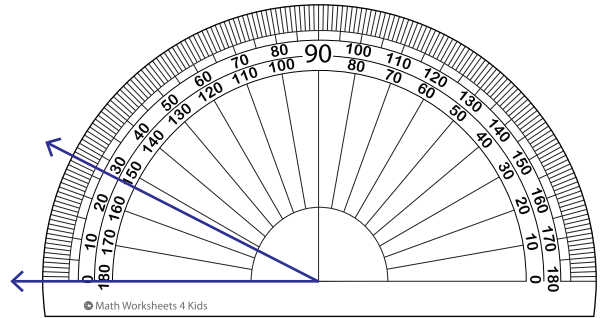
Read the protractor and measure each angle.

1)



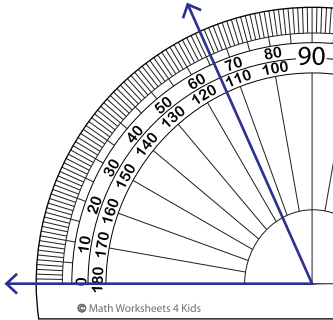
Angle: \_\_\_\_\_

2)



Angle: \_\_\_\_\_

3)



Angle: \_\_\_\_\_

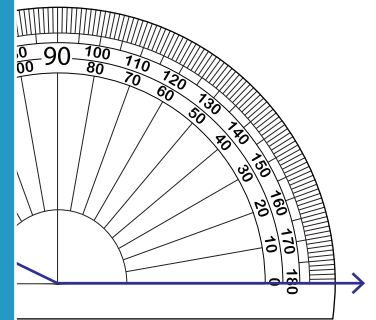
**PREVIEW**

Gain complete access to the largest collection of worksheets in all subjects!

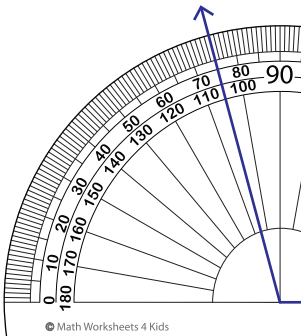
Members, please log in to download this worksheet.

Not a member? Please sign up to gain complete access.

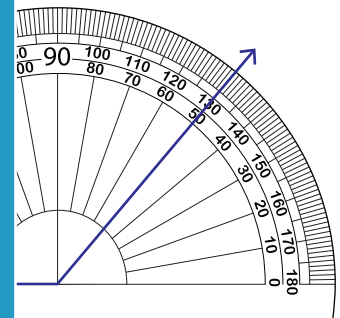
[www.mathworksheets4kids.com](http://www.mathworksheets4kids.com)



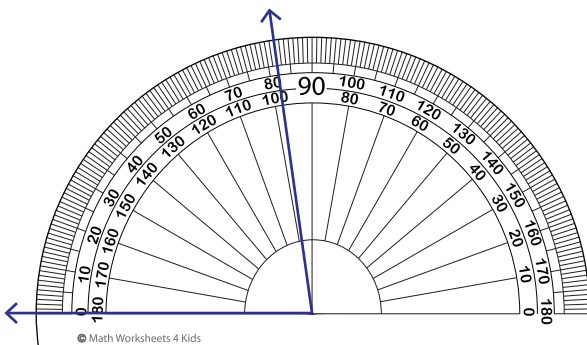
5)



Angle: \_\_\_\_\_

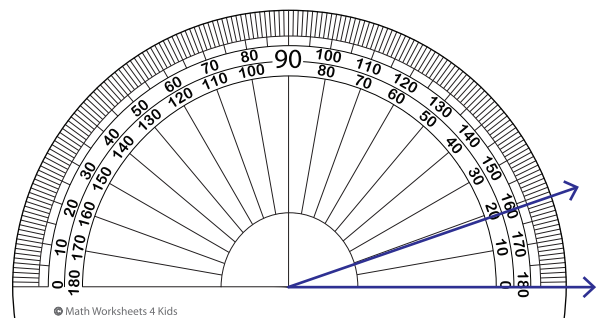


7)



Angle: \_\_\_\_\_

8)



Angle: \_\_\_\_\_