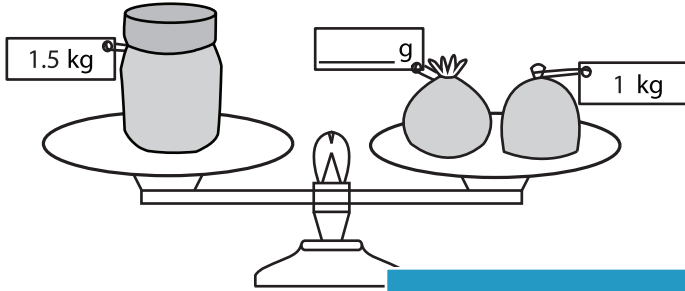


**Balancing Scale - Metric Units**

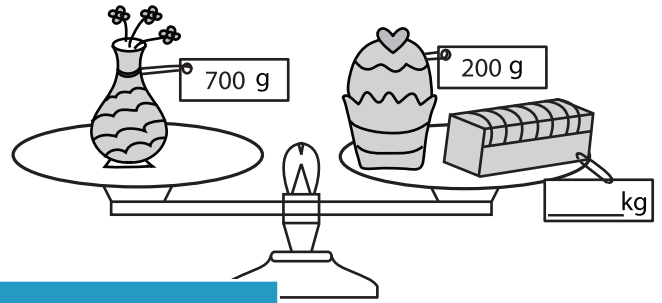
MS3

Calculate the unknown weight to balance each scale.

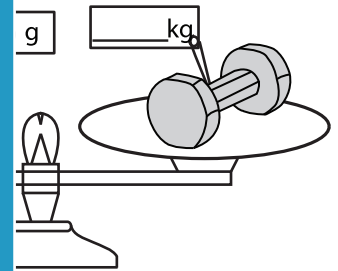
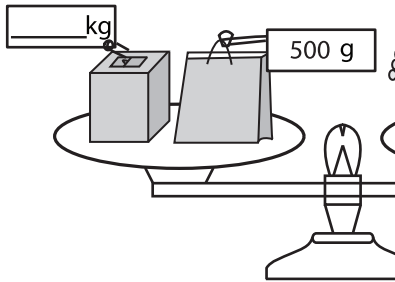
1)



2)



3)



**PREVIEW**

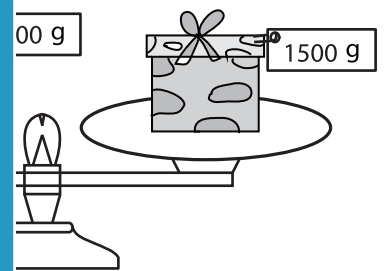
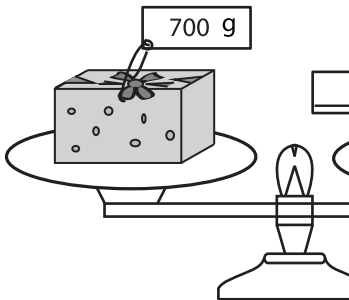
Gain complete access to the largest collection of worksheets in all subjects!

Members, please log in to download this worksheet.

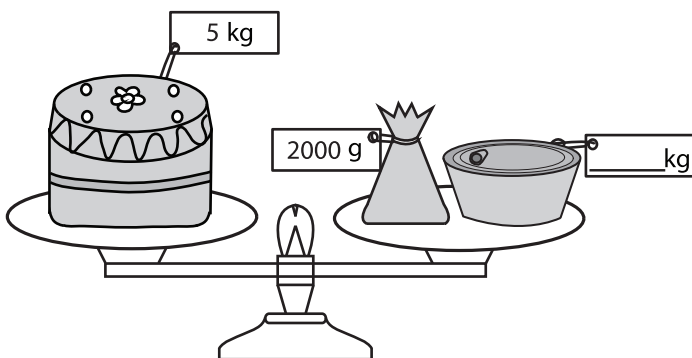
Not a member? Please sign up to gain complete access.

[www.mathworksheets4kids.com](http://www.mathworksheets4kids.com)

5)



7)



8)

