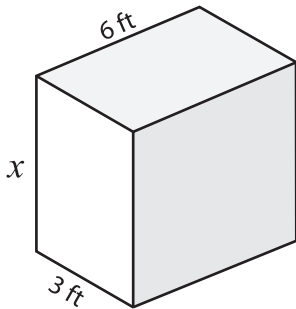


Volume - Rectangular Prism

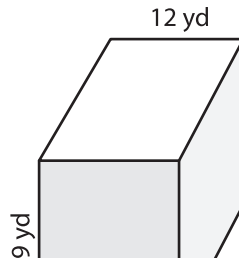
A) Find the value of x .

1) Volume = 108 ft^3



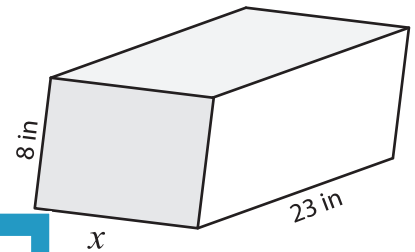
$x =$ _____

2) Volume = $3,876 \text{ yd}^3$



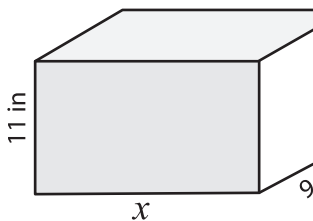
$x =$ _____

3) Volume = $1,840 \text{ in}^3$



Volume = $2,340 \text{ yd}^3$

4) Volume = $1,782 \text{ in}^3$



$x =$ _____

PREVIEW

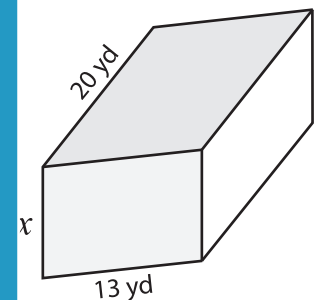
Gain complete access to the largest collection of worksheets in all subjects!

Members, please log in to download this worksheet.

Not a member? Please sign up to gain complete access.

www.mathworksheets4kids.com

Volume = $2,340 \text{ yd}^3$



$x =$ _____

7) A rectangular prism has a volume of $4,000 \text{ cm}^3$. The length and width of the rectangular prism are 20 cm and 10 cm respectively. Find the height of the rectangular prism.

Find the volume of the rectangular prism.

8) The width and height of a rectangular prism are 8 yards and 7 yards respectively. Find the length of the rectangular prism whose volume is 840 cubic yards.