

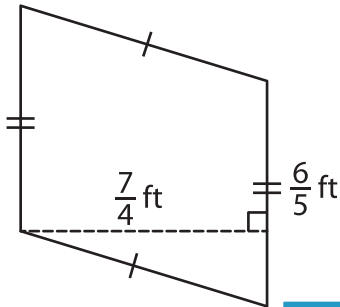
Name : _____

Area – Quadrilateral

L2S2

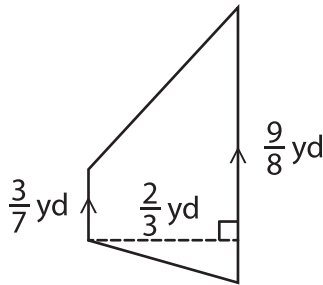
Find the area of each quadrilateral.

1)

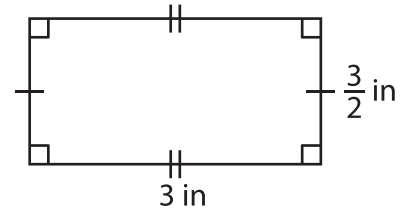


Area = _____

2)

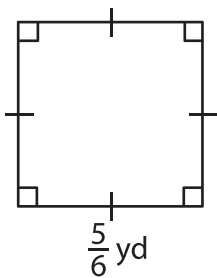


3)



Area = _____

4)



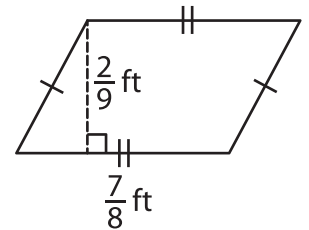
Area = _____

PREVIEW
Gain complete access to the largest collection of worksheets in all subjects!

Members, please log in to download this worksheet.

Not a member? Please sign up to gain complete access.

www.mathworksheets4kids.com



Area = _____

7) The height of a trapezoid is $\frac{3}{4}$ yard and the area of the trapezoid is $\frac{9}{8}$ square yards. What is the length of the top base?

8) The height of a trapezoid is $\frac{3}{4}$ yard and $\frac{6}{7}$ yard, what is the area of the trapezoid?

8) If the side of a square measures $\frac{7}{2}$ feet, determine the area of the square.
