

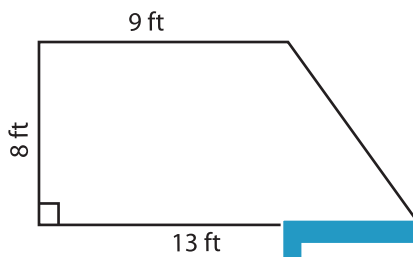
Name : _____

Trapezoid - Area

T1L1S2

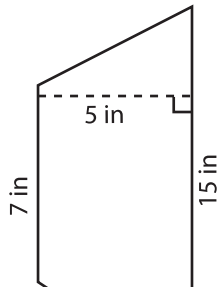
Find the area of each trapezoid.

1)

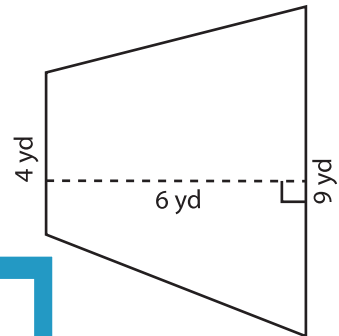


Area = _____

2)

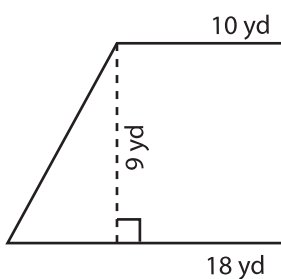


3)



Area = _____

4)



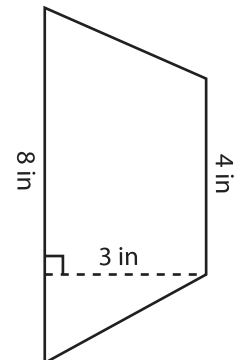
Area = _____

Gain complete access to the largest collection of worksheets in all subjects!

Members, please log in to download this worksheet.

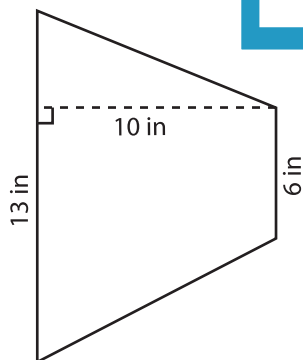
Not a member? Please sign up to gain complete access.

www.mathworksheets4kids.com

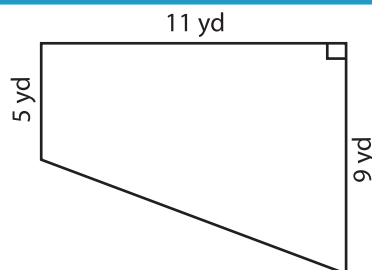


Area = _____

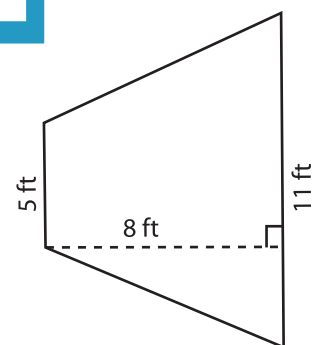
7)



Area = _____



Area = _____



Area = _____