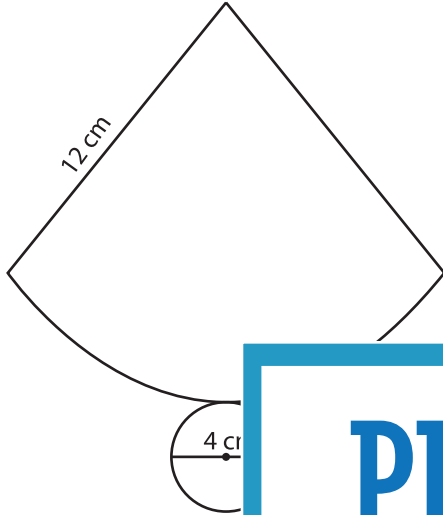


Name : _____

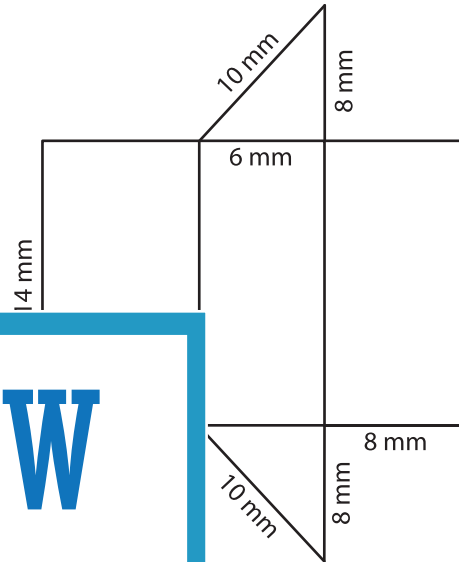
Surface Area of Solids using Nets

Identify the shape that each net represents, and find its surface area. (use $\pi = 3.14$)

1)



2)



Shape: _____

Surface Area = _____

PREVIEW

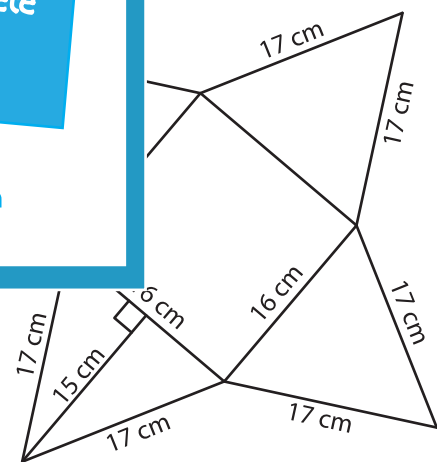
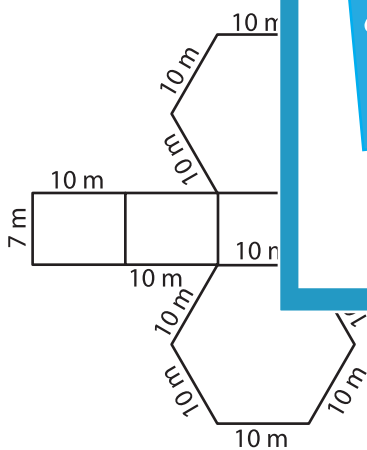
Gain complete access to the largest collection of worksheets in all subjects!

Members, please log in to download this worksheet.

Not a member? Please sign up to gain complete access.

www.mathworksheets4kids.com

3)



Shape: _____

Surface Area = _____

Shape: _____

Surface Area = _____