

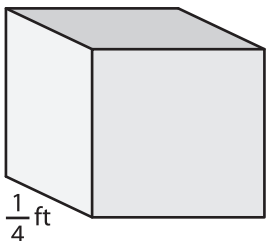
Name : \_\_\_\_\_

## Surface Area - Cube

Sheet 2

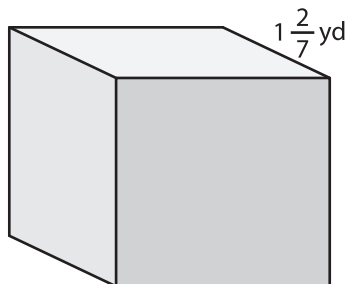
Find the surface area of each cube.

1)



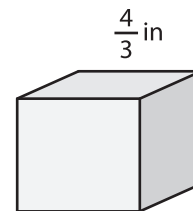
surface area = \_\_\_\_\_

2)

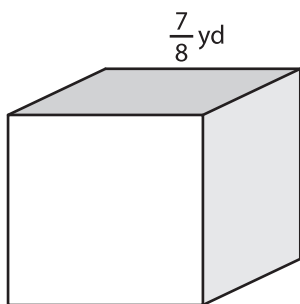


surface area = \_\_\_\_\_

3)



4)



surface area = \_\_\_\_\_

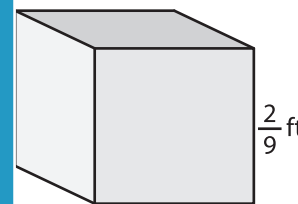
**PREVIEW**

Gain complete access to the largest collection of worksheets in all subjects!

Members, please log in to download this worksheet.

Not a member? Please sign up to gain complete access.

[www.mathworksheets4kids.com](http://www.mathworksheets4kids.com)



surface area = \_\_\_\_\_

7) Find the surface area of a cube with a side length of  $\frac{1}{2}$  ft.

\_\_\_\_\_

8) If the side length of the cube is  $1\frac{1}{2}$  yards, determine the surface area.

\_\_\_\_\_