

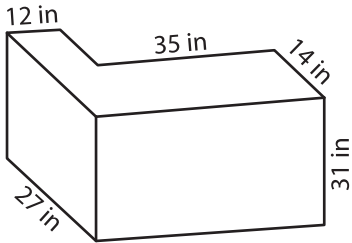
Name : _____

Integers: MS1

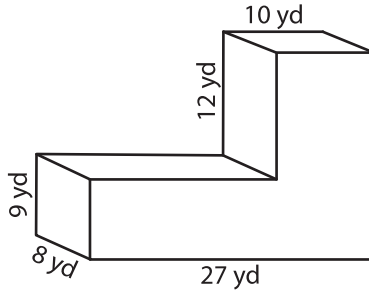
Surface Area - Solid Figures

Find the surface area of each solid figure.

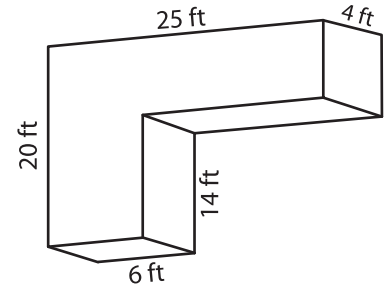
1)



2)



3)



Surface Area = _____

Surface Area = _____

PREVIEW

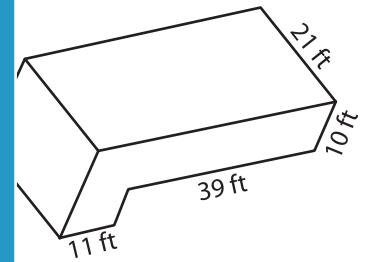
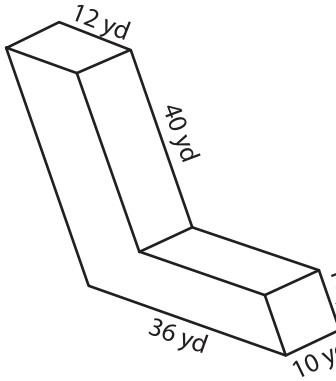
Gain complete access to the largest collection of worksheets in all subjects!

Members, please log in to download this worksheet.

Not a member? Please sign up to gain complete access.

www.mathworksheets4kids.com

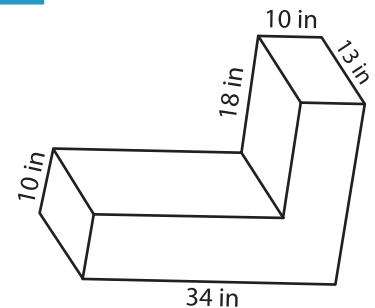
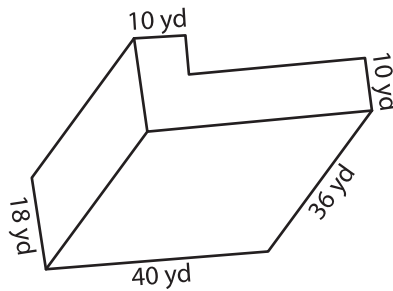
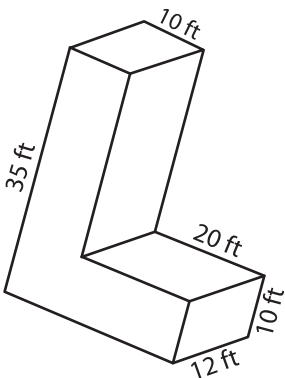
4)



Surface Area = _____

Surface Area = _____

7)



Surface Area = _____

Surface Area = _____

Surface Area = _____