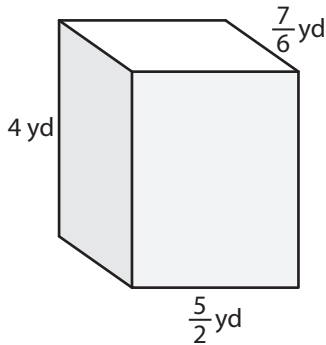


Name : \_\_\_\_\_

## Surface Area - Rectangular Prism

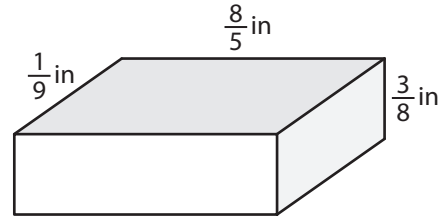
A) Find the surface area of each rectangular prism.

1)



Surface Area = \_\_\_\_\_

2)



B) Find the surface area

given parameters.

3) width =  $\frac{2}{7}$  ft, height =  $\frac{7}{5}$

length = 3 in, and

length =  $5\frac{5}{6}$  ft

Surface Area = \_\_\_\_\_

5) length =  $4\frac{1}{2}$  yd, width =

height =  $\frac{8}{3}$  ft, and

height =  $\frac{7}{3}$  yd

Surface Area = \_\_\_\_\_

Surface Area = \_\_\_\_\_

C) Find the surface area of a rectangular prism whose length, width, height are  $\frac{7}{2}$  inches,  $\frac{8}{7}$  inches, and  $\frac{7}{8}$  inch respectively.

\_\_\_\_\_

**PREVIEW**

Gain complete access to the largest collection of worksheets in all subjects!

Members, please log in to download this worksheet.

Not a member? Please sign up to gain complete access.

[www.mathworksheets4kids.com](http://www.mathworksheets4kids.com)