

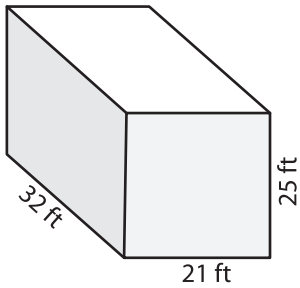
Name : _____

Integers: MS3

Surface Area - Rectangular Prism

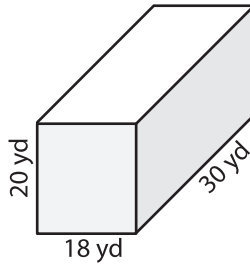
Find the surface area of each rectangular prism.

1)



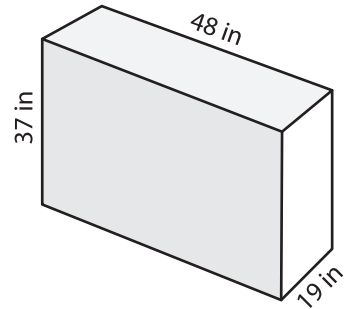
Surface Area = _____

2)



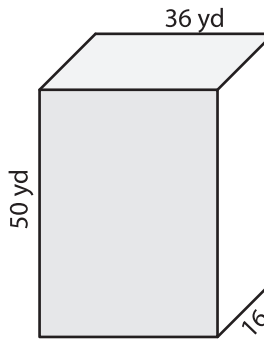
Surface Area = _____

3)



Surface Area = _____

4)



Surface Area = _____

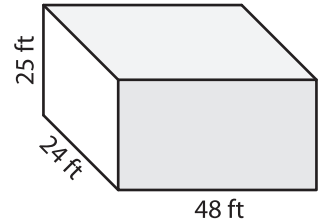
PREVIEW

Gain complete access to the largest collection of worksheets in all subjects!

Members, please log in to download this worksheet.

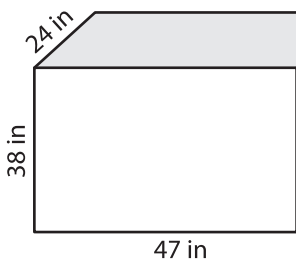
Not a member? Please sign up to gain complete access.

www.mathworksheets4kids.com



Surface Area = _____

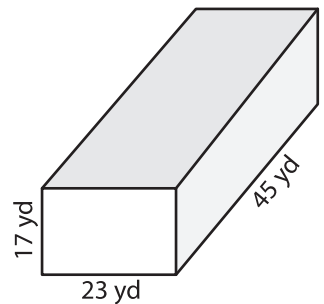
7)



Surface Area = _____

Surface Area = _____

Surface Area = _____



- 10) Jamie wraps a rectangular box with paper. If the box is 5 feet long, 2 feet wide, and 6 feet tall, how much paper is required?

Paper needed: _____