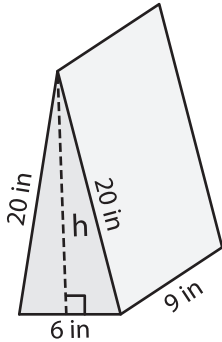


Surface Area - Triangular Prisms

Find the height and calculate the surface area of each triangular prism. Round your answer to two decimal places.

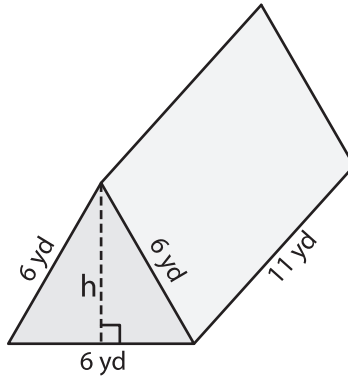
1)



Height (h) = _____

Surface Area = _____

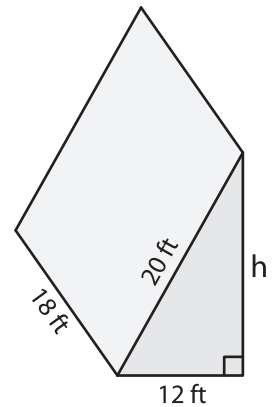
2)



Height (h) = _____

Surface Area = _____

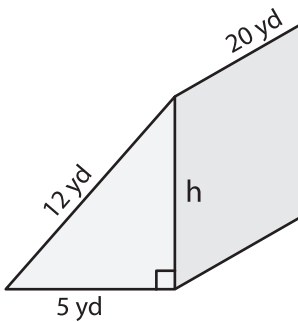
3)



Height (h) = _____

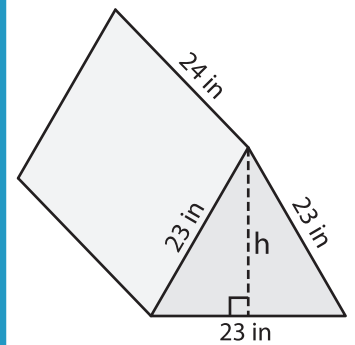
Surface Area = _____

4)



Height (h) = _____

Surface Area = _____



Height (h) = _____

Surface Area = _____

PREVIEW

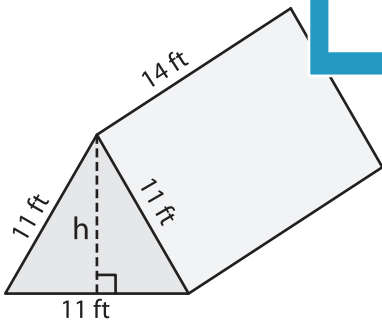
Gain complete access to the largest collection of worksheets in all subjects!

Members, please log in to download this worksheet.

Not a member? Please sign up to gain complete access.

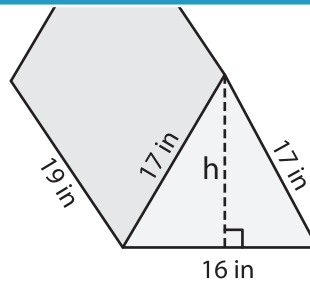
www.mathworksheets4kids.com

7)



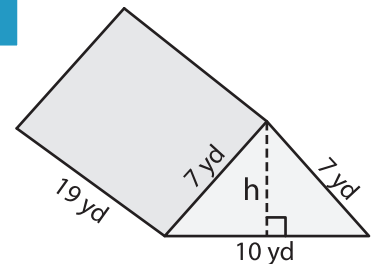
Height (h) = _____

Surface Area = _____



Height (h) = _____

Surface Area = _____



Height (h) = _____

Surface Area = _____