

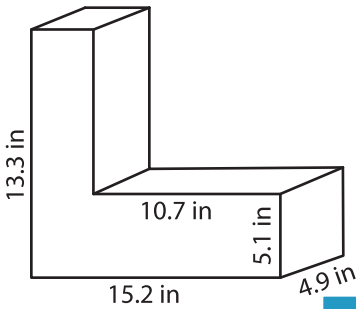
Name : _____

Volume - Rectangular Prism

DS3

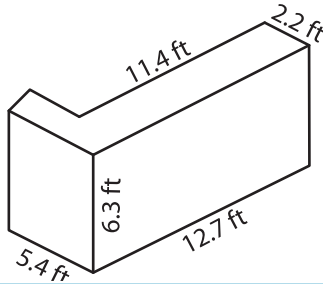
Find the volume of each L - block. Round your answers to two decimal places.

1)

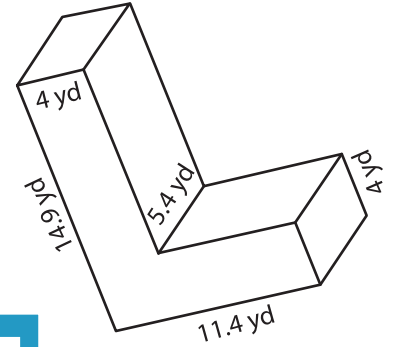


Volume = _____

2)

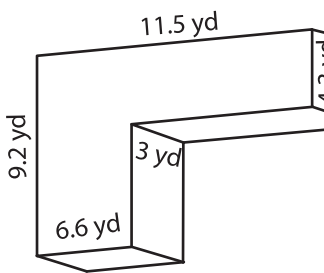


3)



Volume = _____

4)



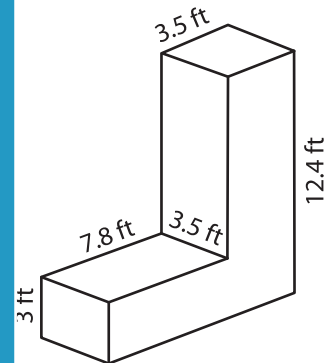
Volume = _____

Gain complete access to the largest collection of worksheets in all subjects!

Members, please log in to download this worksheet.

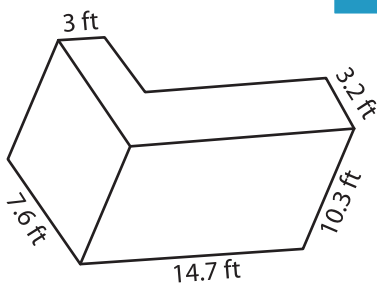
Not a member? Please sign up to gain complete access.

www.mathworksheets4kids.com

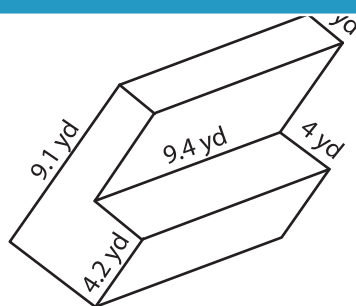


Volume = _____

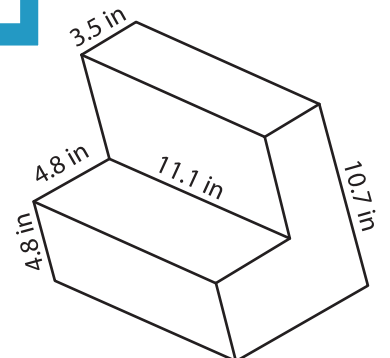
7)



Volume = _____



Volume = _____



Volume = _____