

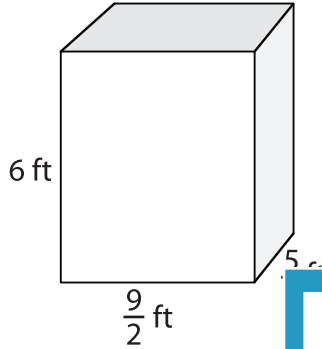
Name : \_\_\_\_\_

## Volume - Rectangular Prism

Fractions: S3

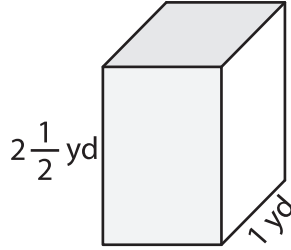
A) Find the volume of each rectangular prism.

1)

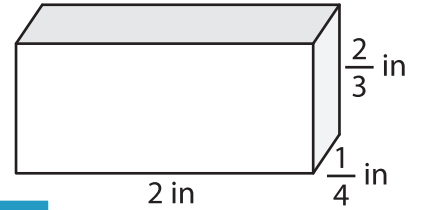


Volume = \_\_\_\_\_

2)



3)



Volume = \_\_\_\_\_

B) Find the volume of each

4) length = 8 yd ; width =  $\frac{5}{7}$

Volume = \_\_\_\_\_

6) height =  $\frac{6}{7}$  in ; length =

Volume = \_\_\_\_\_

Gain complete access to the largest collection of worksheets in all subjects!

Members, please log in to download this worksheet.

Not a member? Please sign up to gain complete access.

[www.mathworksheets4kids.com](http://www.mathworksheets4kids.com)

width =  $1\frac{2}{5}$  ft ; length = 6 ft

width =  $\frac{5}{7}$  yd ; height =  $\frac{9}{5}$  yd

Volume = \_\_\_\_\_

Volume = \_\_\_\_\_

8) Find the volume of a rectangular prism whose width, height and length are  $\frac{1}{2}$  inch,  $\frac{1}{9}$  inch and 4 inches respectively.

\_\_\_\_\_