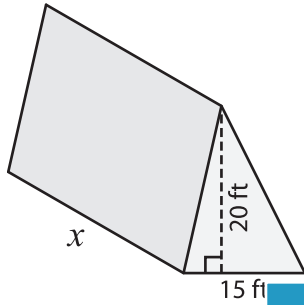


Volume - Triangular Prism

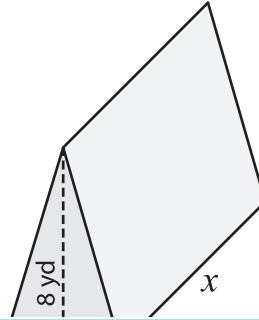
Find the value of x .

1) Volume = $3,750 \text{ ft}^3$

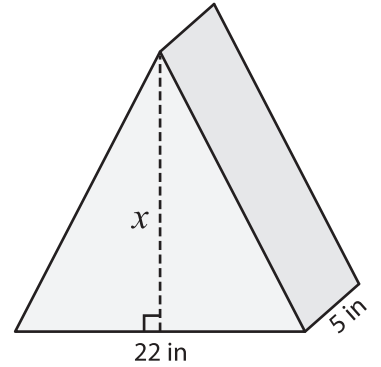


$x =$ _____

2) Volume = 120 yd^3

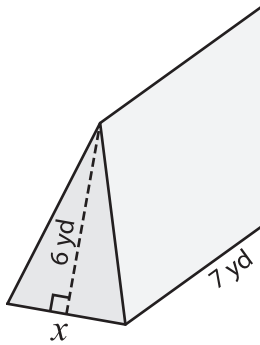


3) Volume = $1,485 \text{ in}^3$



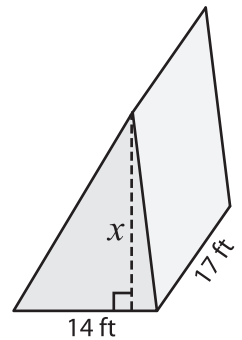
$x =$ _____

4) Volume = 84 yd^3



$x =$ _____

Volume = $2,737 \text{ ft}^3$



$x =$ _____

7) The length of a triangular prism is 18 feet. Find the height of the base.

Find the height of the base

PREVIEW

Gain complete access to the largest collection of worksheets in all subjects!

Members, please log in to download this worksheet.

Not a member? Please sign up to gain complete access.

www.mathworksheets4kids.com

8) The base of a prism is a triangle whose base and height are 29 yards and 26 yards respectively. If the volume of the prism is 6,409 cubic yards, determine its length.
