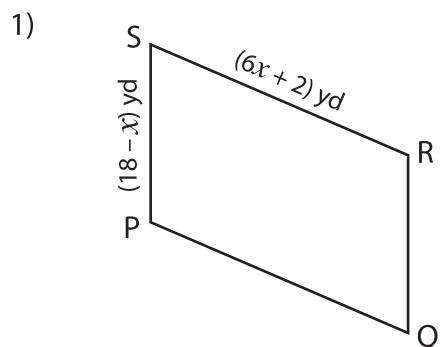


## Perimeter of a Parallelogram

Find the indicated side lengths of each parallelogram from the given perimeter.

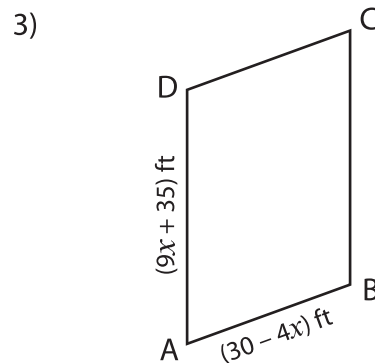
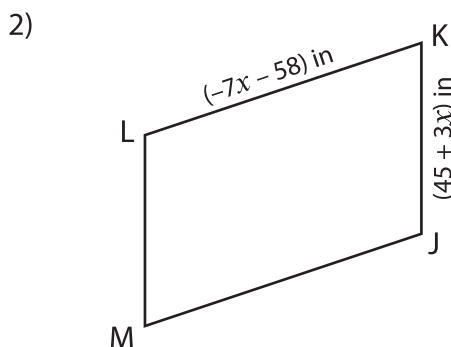


Perimeter = 80 yd

$x =$  \_\_\_\_\_

PQ = \_\_\_\_\_

SP = \_\_\_\_\_

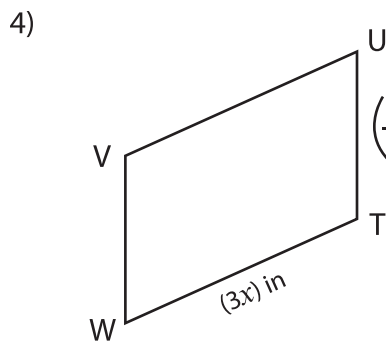


Perimeter = 180 ft

$x =$  \_\_\_\_\_

AB = \_\_\_\_\_

DA = \_\_\_\_\_



Perimeter = 34 in

$x =$  \_\_\_\_\_

WT = \_\_\_\_\_

TU = \_\_\_\_\_

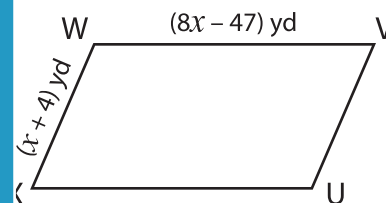
# PREVIEW

Gain complete access to the largest collection of worksheets in all subjects!

Members, please log in to download this worksheet.

Not a member? Please sign up to gain complete access.

[www.mathworksheets4kids.com](http://www.mathworksheets4kids.com)



Perimeter = 76 yd

$x =$  \_\_\_\_\_

XU = \_\_\_\_\_

UV = \_\_\_\_\_

7) The adjacent sides of a parallelogram measure  $(3x - 5)$  feet and  $(2x + 39)$  feet. If its perimeter is 148 feet, find the value of  $x$  and the lengths of the adjacent sides.

\_\_\_\_\_