

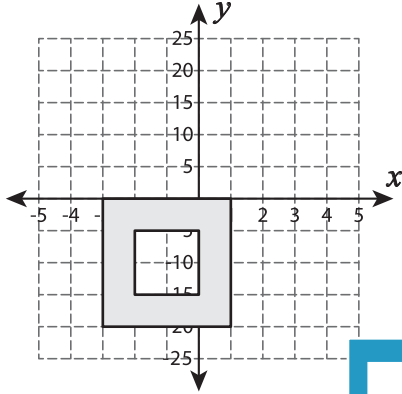
Name : \_\_\_\_\_

## Area - Compound Shapes

Sheet 3

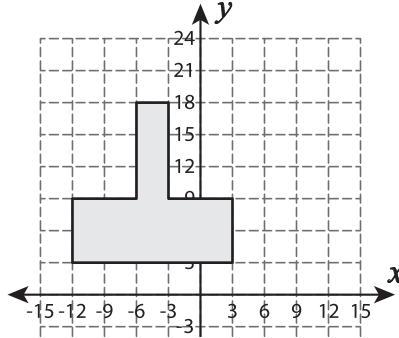
Find the area of the shaded region in each figure. Round your answer to two decimal places.  
(Use  $\pi = 3.14$ )

1)

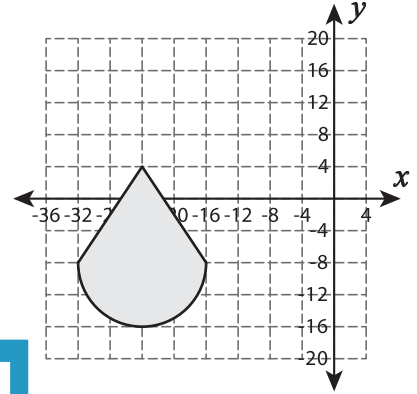


Area = \_\_\_\_\_

2)

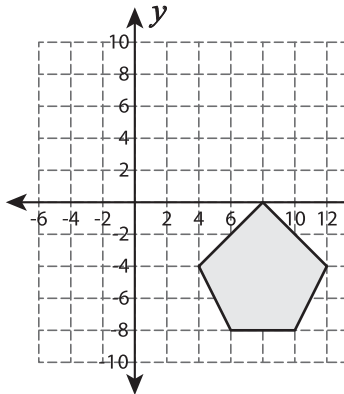


3)

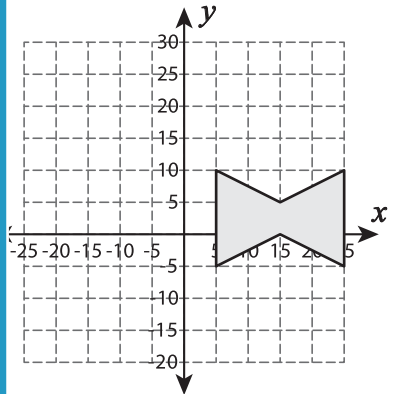


Area = \_\_\_\_\_

4)

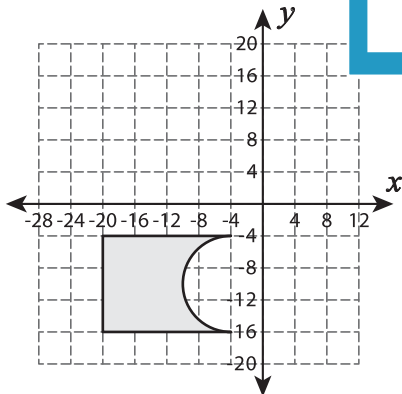


Area = \_\_\_\_\_

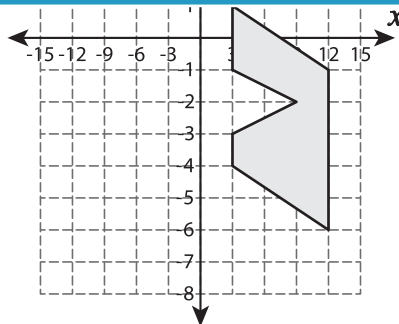


Area = \_\_\_\_\_

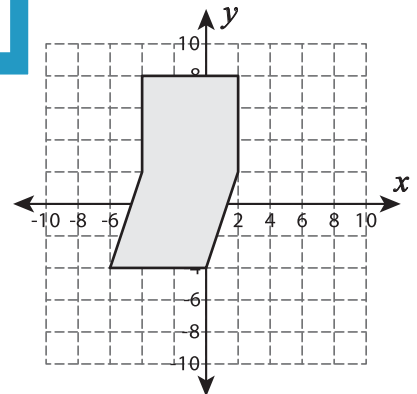
7)



Area = \_\_\_\_\_



Area = \_\_\_\_\_



Area = \_\_\_\_\_

# PREVIEW

Gain complete access to the largest collection of worksheets in all subjects!

Members, please log in to download this worksheet.

Not a member? Please sign up to gain complete access.

[www.mathworksheets4kids.com](http://www.mathworksheets4kids.com)