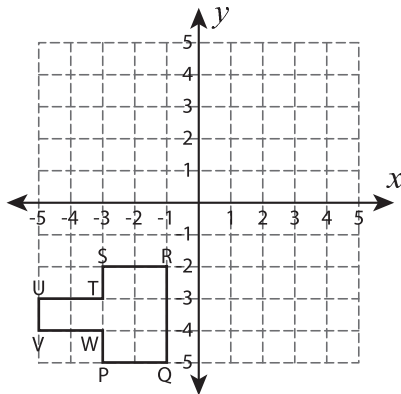


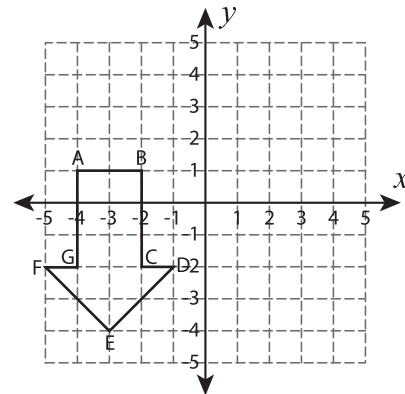
Transform the Shapes

Graph the image of each shape after the given transformation.

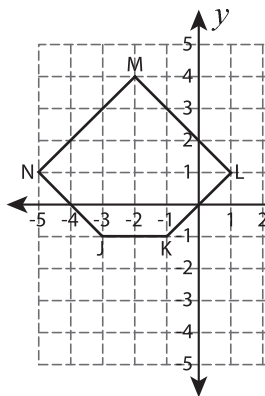
1) Translate 6 units right and 6 units up



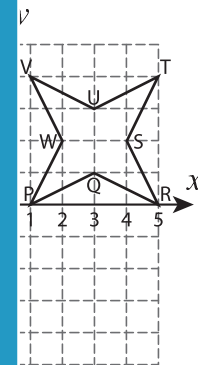
2) Reflection across $y = -x$



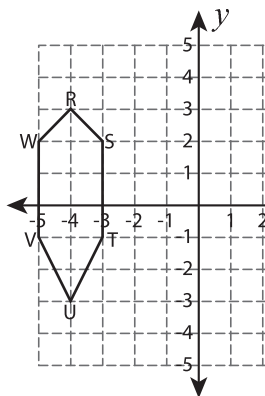
3) 90° counterclockwise rotation



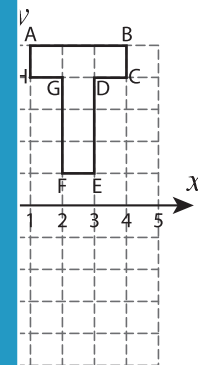
4) Translate 2 units down and 4 units left



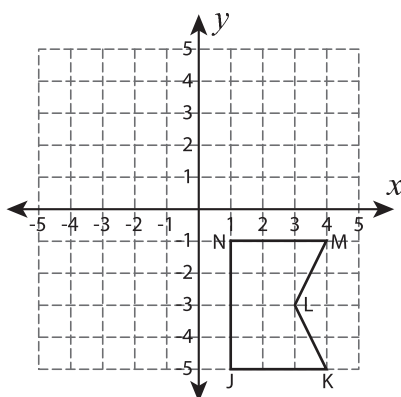
5) Reflection across the y-axis



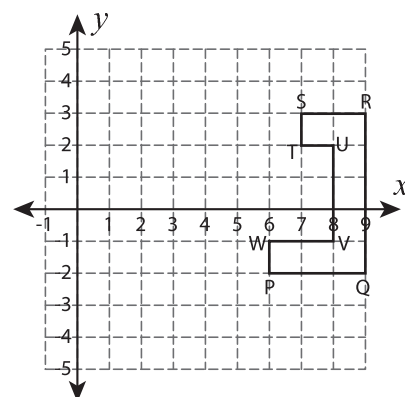
6) Reflection across the origin



7) Translate 5 units left and 2 units up



8) Reflection across the line $x = 5$



PREVIEW

Gain complete access to the largest collection of worksheets in all subjects!

Members, please log in to download this worksheet.

Not a member? Please sign up to gain complete access.

www.mathworksheets4kids.com