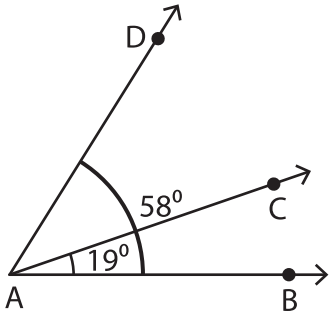


# Adjacent Angles

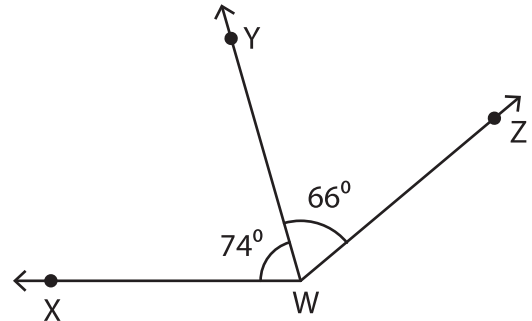
Find the measure of each indicated angle.

1)



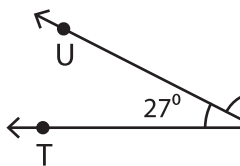
$m\angle DAC =$  \_\_\_\_\_

2)



$=$  \_\_\_\_\_

3)



$m\angle VST =$  \_\_\_\_\_

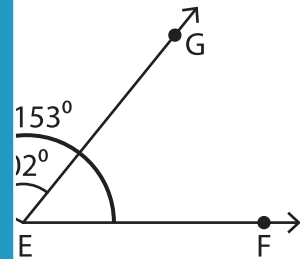
PREVIEW

Gain complete access to the largest collection of worksheets in all subjects!

Members, please log in to download this worksheet.

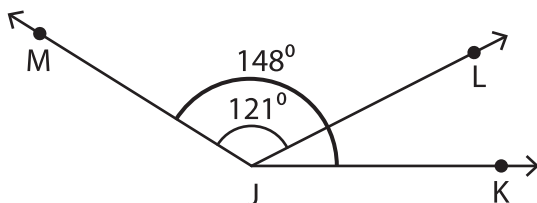
Not a member? Please sign up to gain complete access.

www.mathworksheets4kids.com

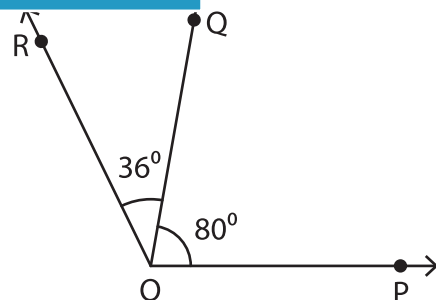


$=$  \_\_\_\_\_

5)



$m\angle LJK =$  \_\_\_\_\_



$m\angle ROP =$  \_\_\_\_\_