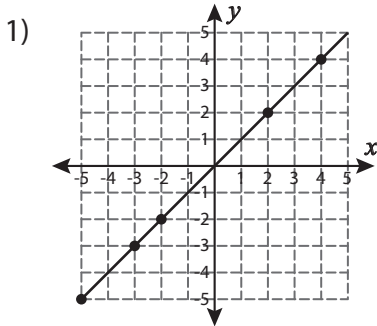
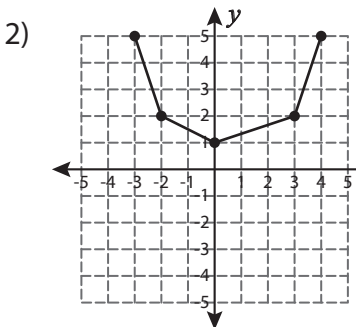


# Proportion - Graph

Check whether the coordinates of the points on the graph represents a proportional relationship. Justify your answer.



\_\_\_\_\_



# PREVIEW

Gain complete access to the largest collection of worksheets in all subjects!

Members, please log in to download this worksheet.

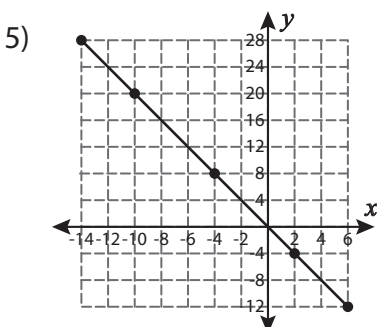
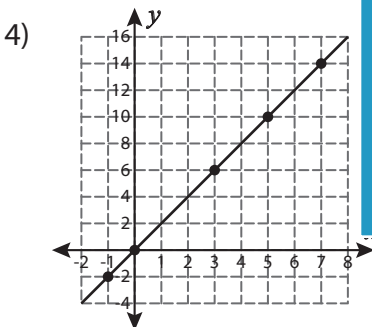
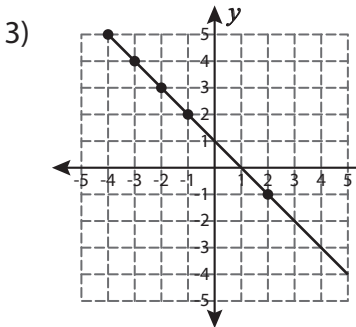
Not a member? Please sign up to gain complete access.

[www.mathworksheets4kids.com](http://www.mathworksheets4kids.com)

\_\_\_\_\_

\_\_\_\_\_

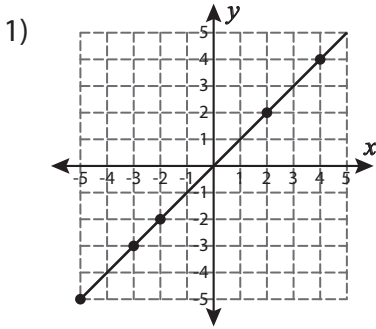
\_\_\_\_\_



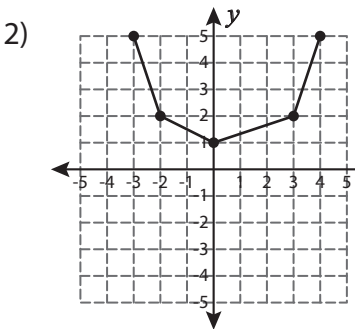
\_\_\_\_\_

**Proportion - Graph**

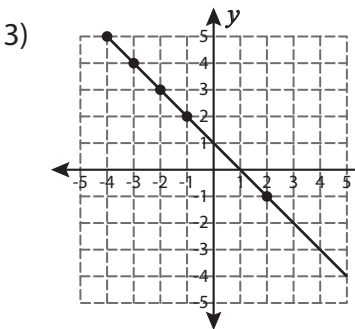
Check whether the coordinates of the points on the graph represents a proportional relationship. Justify your answer.



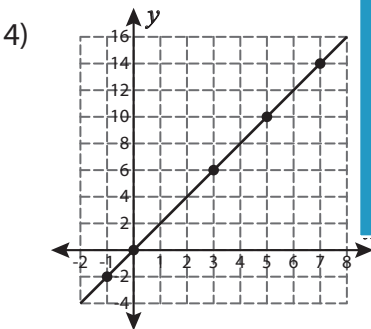
**The line passes through the origin - Proportion**



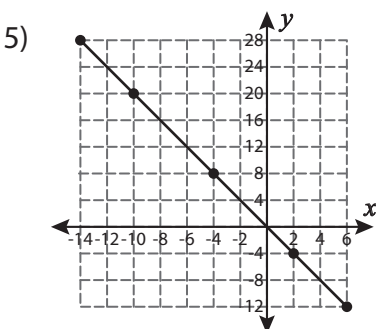
**Not a Proportion**



**Not a Proportion**



**Proportion**



**The line passes through the origin - Proportion**

# PREVIEW

Gain complete access to the largest collection of worksheets in all subjects!

Members, please log in to download this worksheet.

Not a member? Please sign up to gain complete access.

[www.mathworksheets4kids.com](http://www.mathworksheets4kids.com)