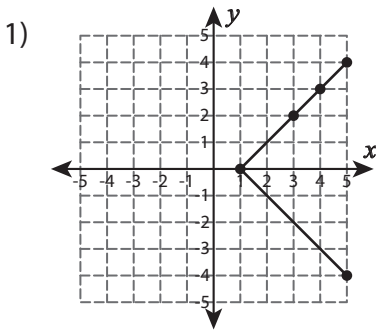
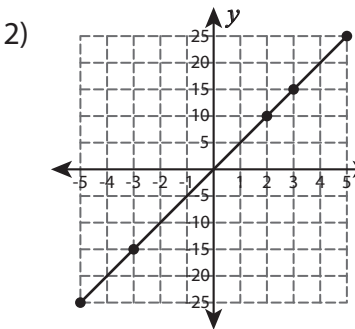


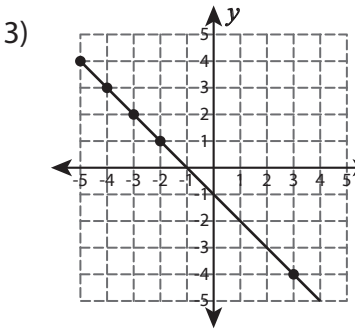
Check whether the coordinates of the points on the graph represents a proportional relationship. Justify your answer.



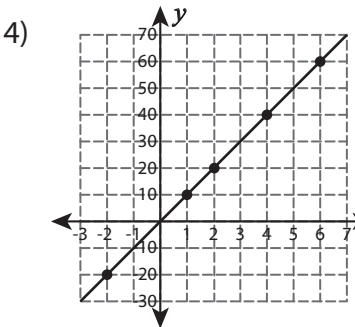
\_\_\_\_\_



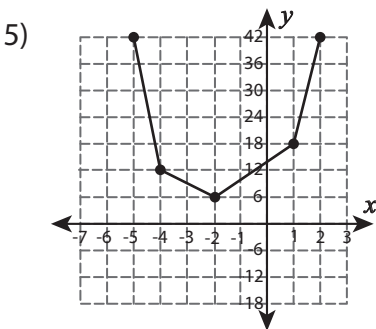
\_\_\_\_\_



\_\_\_\_\_



\_\_\_\_\_



\_\_\_\_\_

## PREVIEW

Gain complete access to the largest collection of worksheets in all subjects!

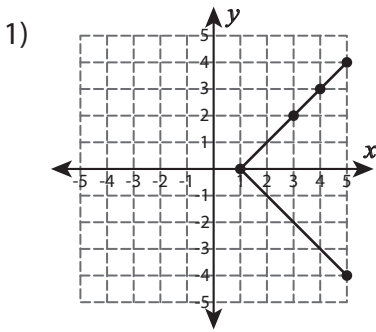
Members, please log in to download this worksheet.

Not a member? Please sign up to gain complete access.

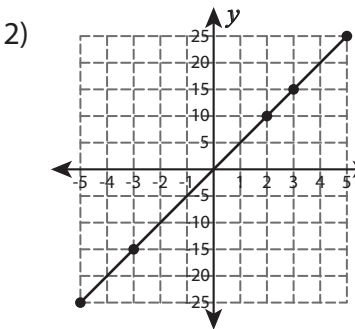
[www.mathworksheets4kids.com](http://www.mathworksheets4kids.com)

**Proportion - Graph**

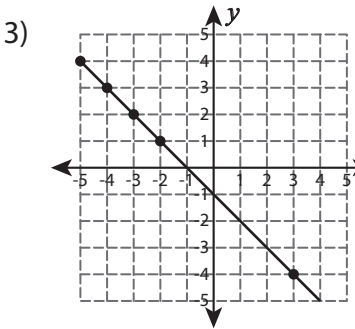
Check whether the coordinates of the points on the graph represents a proportional relationship. Justify your answer.



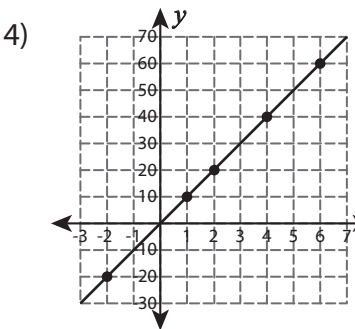
**The graph is not a line - Not a Proportion**



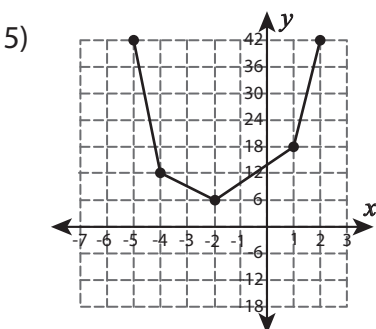
**gin - Proportion**



**gin - Not a Proportion**



**gin - Proportion**



**The graph is not a line - Not a Proportion**

# PREVIEW

Gain complete access to the largest collection of worksheets in all subjects!

Members, please log in to download this worksheet.

Not a member? Please sign up to gain complete access.

[www.mathworksheets4kids.com](http://www.mathworksheets4kids.com)