

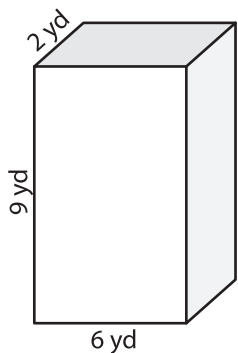
Name : _____

Volume - Prisms and Cylinders

Integers: L1S1

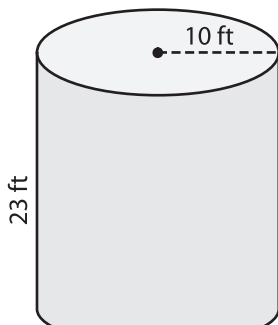
Find the volume of each shape. (use $\pi = 3.14$)

1)



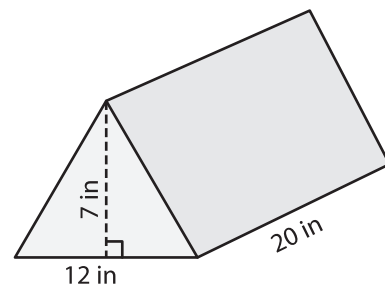
Volume = _____

2)

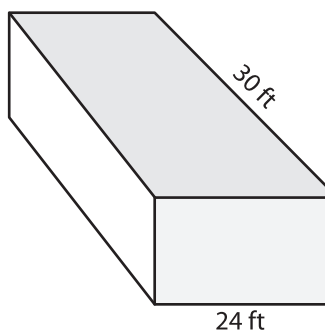


Volume = _____

3)



4)



Volume = _____

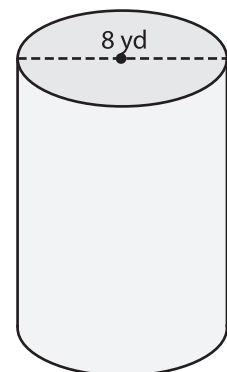
PREVIEW

Gain complete access to the largest collection of worksheets in all subjects!

Members, please log in to download this worksheet.

Not a member? Please sign up to gain complete access.

www.mathworksheets4kids.com



Volume = _____

7) The radius and height of a cylinder are 5 cm and 10 cm respectively. What is the volume of the cylinder? (use $\pi = 3.14$)

What is the volume of the cylinder?

8) The base of a prism is a right triangle with legs measuring 3 feet and 4 feet. If the height of the prism is 13 feet, determine its volume.
