

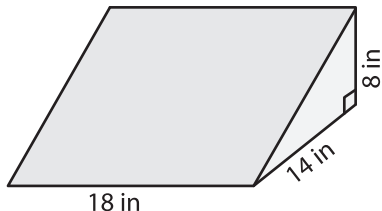
Name : _____

Volume - Prisms and Cylinders

Integers: L1S3

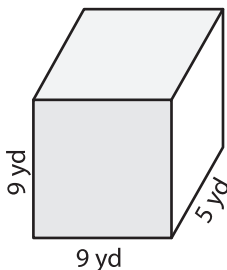
Find the volume of each shape. (use $\pi = 3.14$)

1)

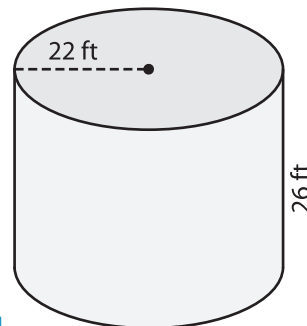


Volume = _____

2)

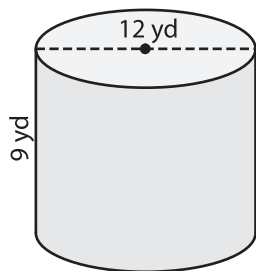


3)



Volume = _____

4)



Volume = _____

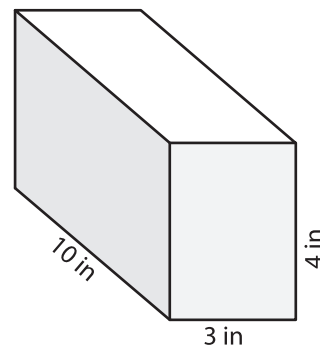
PREVIEW

Gain complete access to the largest collection of worksheets in all subjects!

Members, please log in to download this worksheet.

Not a member? Please sign up to gain complete access.

www.mathworksheets4kids.com



Volume = _____

7) The height of a square prism is 24 feet.

length of the base square is _____

8) The length, width and height of a rectangular prism are 29 inches, 11 inches and 21 inches respectively. Determine the volume.