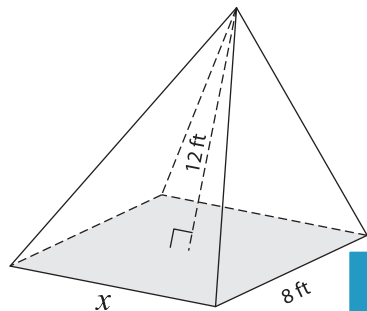


Volume - Rectangular Pyramid

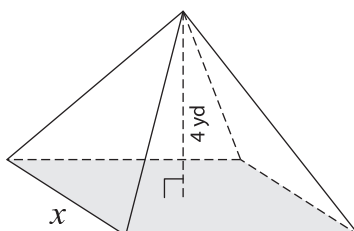
Find the value of x .

1) Volume = 352 ft^3

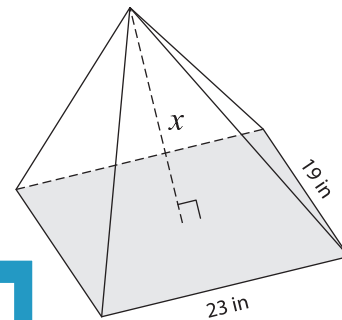


$x =$ _____

2) Volume = 24 yd^3

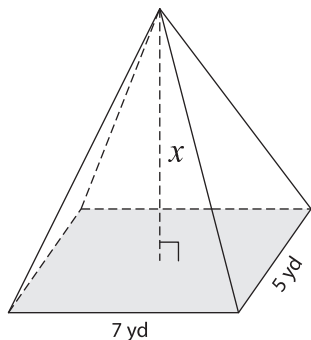


3) Volume = $3,059 \text{ in}^3$



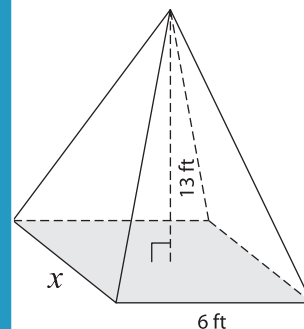
$x =$ _____

4) Volume = 175 yd^3



$x =$ _____

Volume = 78 ft^3



$x =$ _____

7) The length and width of the base are 10 feet and 8 feet respectively. Find the height of the pyramid if the volume is 1,600 cubic feet.

8) A rectangular pyramid has a width of 14 yards and a height of 22 yards. If the volume of the pyramid is 1,848 cubic yards, find its length.

PREVIEW

Gain complete access to the largest collection of worksheets in all subjects!

Members, please log in to download this worksheet.

Not a member? Please sign up to gain complete access.

www.mathworksheets4kids.com