

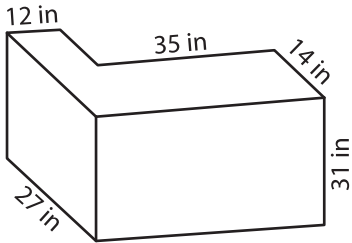
Name : \_\_\_\_\_

Integers: MS1

## Surface Area - Solid Figures

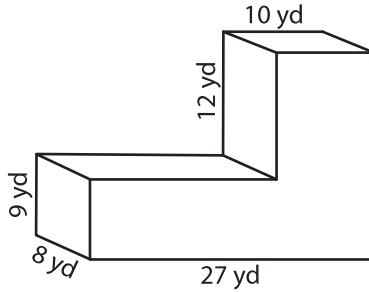
Find the surface area of each solid figure.

1)

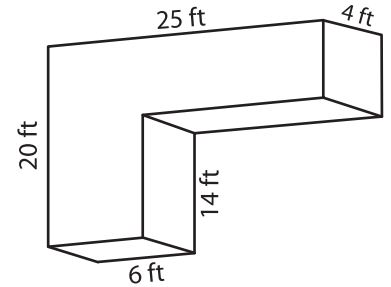


Surface Area = \_\_\_\_\_

2)

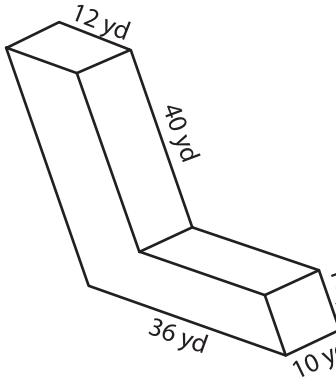


3)



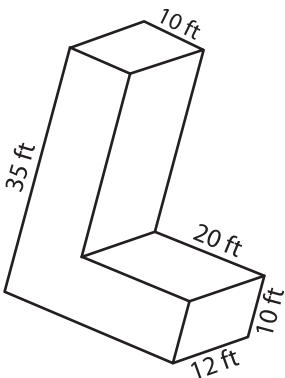
Surface Area = \_\_\_\_\_

4)



Surface Area = \_\_\_\_\_

7)



Surface Area = \_\_\_\_\_

Surface Area = \_\_\_\_\_

Surface Area = \_\_\_\_\_

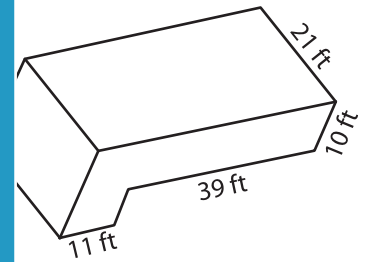
# PREVIEW

Gain complete access to the largest collection of worksheets in all subjects!

Members, please log in to download this worksheet.

Not a member? Please sign up to gain complete access.

[www.mathworksheets4kids.com](http://www.mathworksheets4kids.com)



Surface Area = \_\_\_\_\_

