

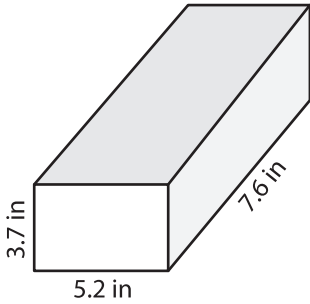
Name : _____

Decimals: S2

Surface Area - Rectangular Prism

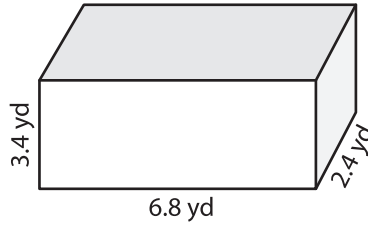
Find the surface area of each rectangular prism.

1)



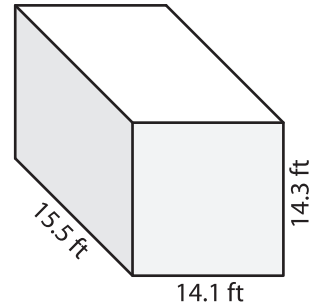
Surface Area = _____

2)



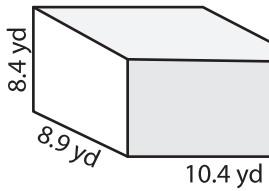
Surface Area = _____

3)

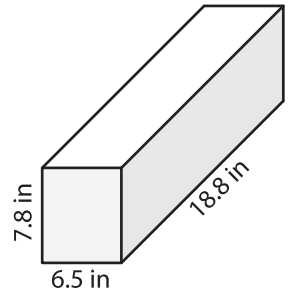


Surface Area = _____

4)

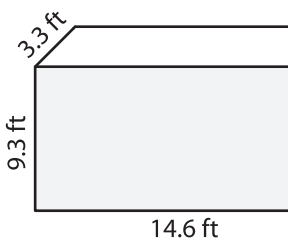


Surface Area = _____



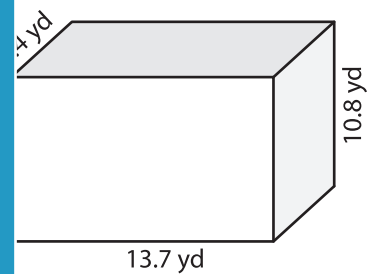
Surface Area = _____

7)



Surface Area = _____

Surface Area = _____



Surface Area = _____

PREVIEW

Gain complete access to the largest collection of worksheets in all subjects!

Members, please log in to download this worksheet.

Not a member? Please sign up to gain complete access.

www.mathworksheets4kids.com

10) Jamie makes a pinata in the shape of a rectangular prism. If the pinata is 1.7 feet long, 1.2 feet wide, and 0.5 foot tall, what is the surface area of the pinata?

Surface Area = _____