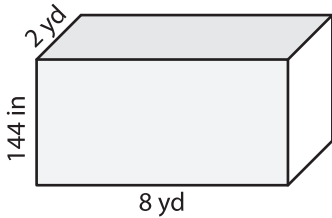


Name : _____

Surface Area - Rectangular Prism

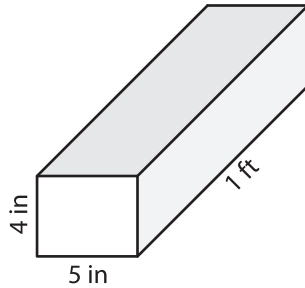
Find the surface area of each rectangular prism.

1)



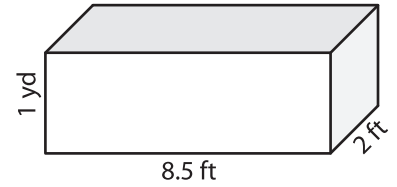
Surface Area = _____ yd²

2)



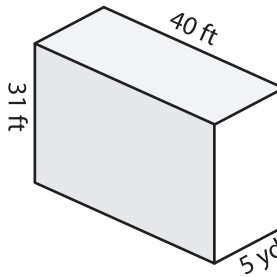
Surface Area = _____ in²

3)

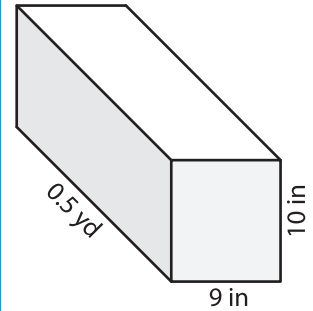


Surface Area = _____ ft²

4)

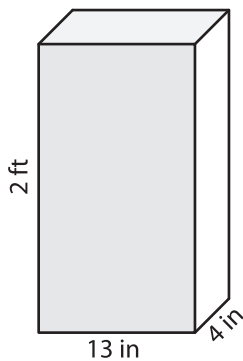


Surface Area = _____



Surface Area = _____ in²

7)



Surface Area = _____ in²

Surface Area = _____ yd²

Surface Area = _____ ft²

PREVIEW

Gain complete access to the largest collection of worksheets in all subjects!

Members, please log in to download this worksheet.

Not a member? Please sign up to gain complete access.

www.mathworksheets4kids.com

10) Cressida made her own bar of soap with the following dimensions: 0.25 yard, 2 inches, and 1 inch. Find the surface area of the bar of soap.

Surface Area = _____ square inches