

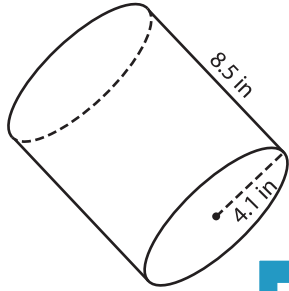
Name : \_\_\_\_\_

## Volume - Cylinder

Decimals: ES6

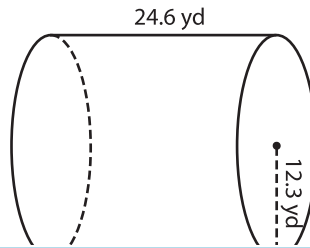
A) Find the volume of each cylinder. Round your answer to two decimal places. (use  $\pi = 3.14$ )

1)



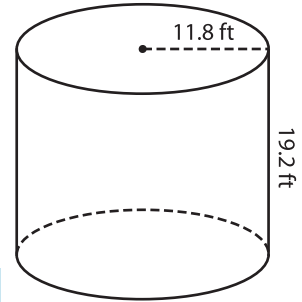
Volume = \_\_\_\_\_

2)



Volume = \_\_\_\_\_

3)



Volume = \_\_\_\_\_

B) Find the volume of each cylinder. Round your answer to two decimal places.

4) radius = 17.3 yd ; height = 12.5 yd

Volume = \_\_\_\_\_

6) height = 18.6 ft ; radius = 9.1 ft

Volume = \_\_\_\_\_

**PREVIEW**  
Gain complete access to the largest collection of worksheets in all subjects!

Members, please log in to download this worksheet.

Not a member? Please sign up to gain complete access.

[www.mathworksheets4kids.com](http://www.mathworksheets4kids.com)

Volume = \_\_\_\_\_

8) As part of a state-wide waste management drive, cylindrical bins of height 25.4 inches and radius 7.7 inches are installed around the campus. What is the volume of a bin? Round your answer to two decimal places. (use  $\pi = 3.14$ )

\_\_\_\_\_