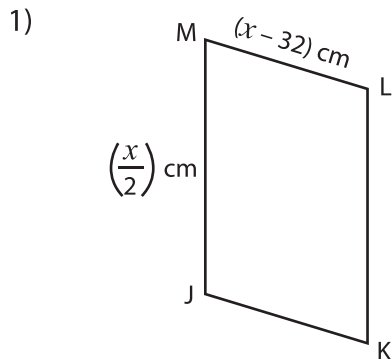


Name : _____

Perimeter of a Parallelogram

Find the indicated side lengths of each parallelogram from the given perimeter.

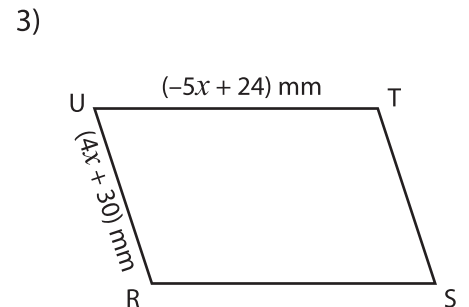
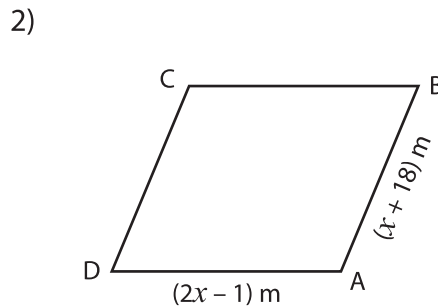


Perimeter = 92 cm

$x =$ _____

LM = _____

MJ = _____

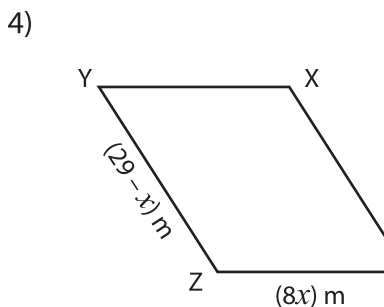


Perimeter = 118 mm

$x =$ _____

ST = _____

RS = _____

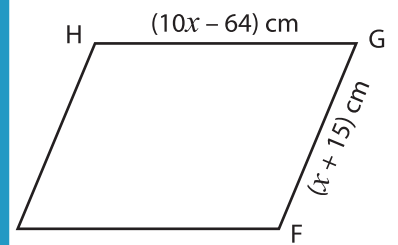


Perimeter = 100 m

$x =$ _____

WX = _____

XY = _____



Perimeter = 166 cm

$x =$ _____

FG = _____

EF = _____

PREVIEW

Gain complete access to the largest collection of worksheets in all subjects!

Members, please log in to download this worksheet.

Not a member? Please sign up to gain complete access.

www.mathworksheets4kids.com

7) The perimeter of a parallelogram is 32 cm and its adjacent sides measure $(-4x + 44)$ cm and $(-20 + 3x)$ cm. Solve for x and then find the lengths of the adjacent sides.
