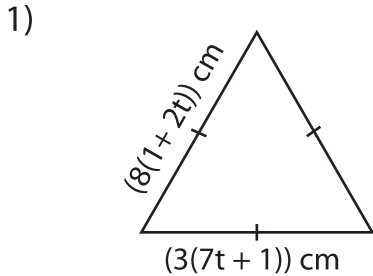
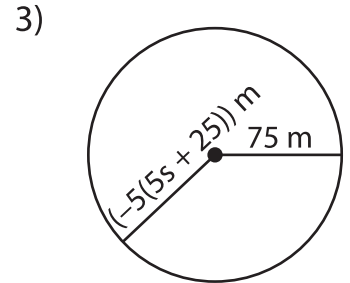
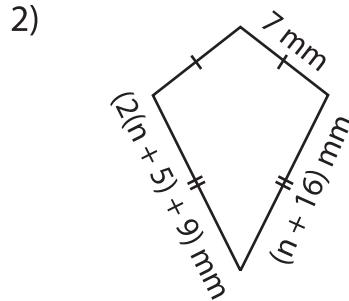


Multi-Step Equations: Shapes

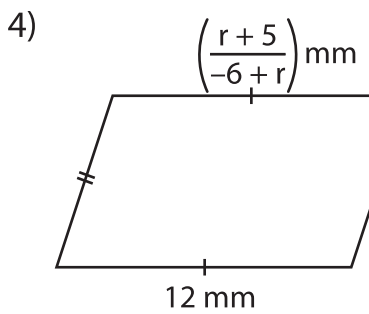
Find the unknown value given in each shape.



t = _____



s = _____



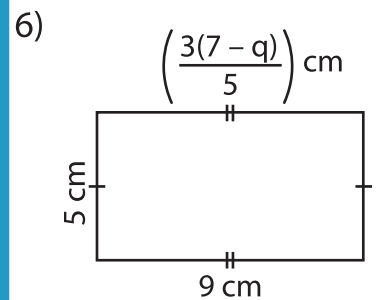
r = _____

PREVIEW
Gain complete access to the largest collection of worksheets in all subjects!

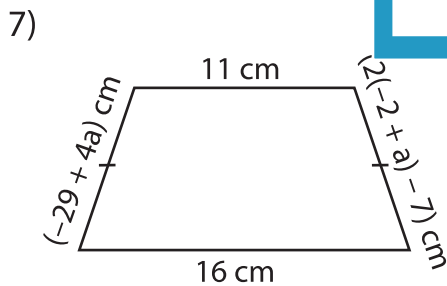
Members, please log in to download this worksheet.

Not a member? Please sign up to gain complete access.

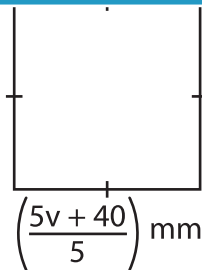
www.mathworksheets4kids.com



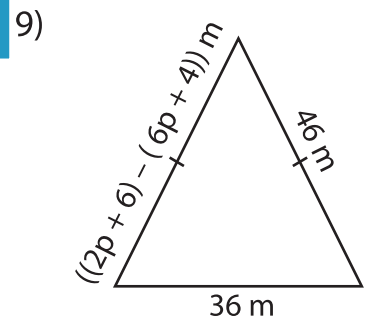
q = _____



a = _____



v = _____



p = _____