

Congruence Statements

A) Complete each congruence statement.

1) $\triangle STR \cong \triangle EFG$

2) $\triangle TUV \cong \triangle VRS$

$\overline{TR} \cong$ _____

$\overline{TU} \cong$ _____

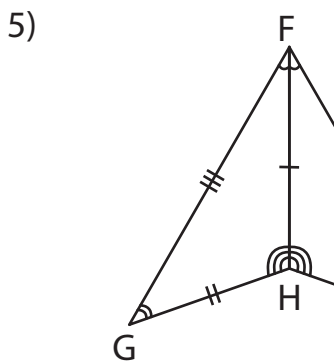
3) $\triangle PRQ \cong \triangle LMN$

4) $\triangle CDE \cong \triangle JKE$

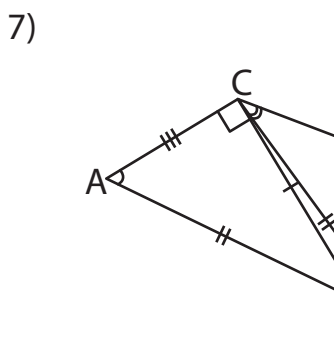
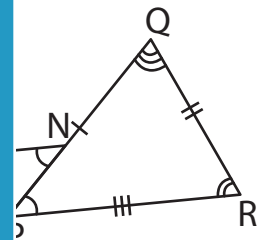
$\angle R \cong$ _____

$\angle E \cong$ _____

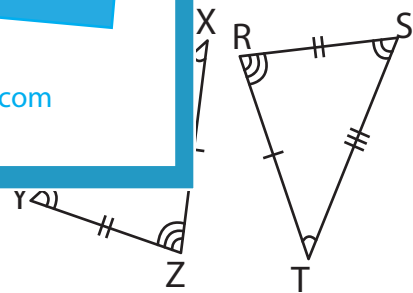
B) Complete each congruence statement.



$\angle G \cong$ _____



$\angle D \cong$ _____



$\overline{YZ} \cong$ _____

9) If the triangles ACB and TRS are congruent, what is the corresponding part of \overline{AB} ?

PREVIEW

Gain complete access to the largest collection of worksheets in all subjects!

Members, please log in to download this worksheet.

Not a member? Please sign up to gain complete access.

www.mathworksheets4kids.com

Congruence Statements

A) Complete each congruence statement.

1) $\triangle STR \cong \triangle EFG$

2) $\triangle TUV \cong \triangle VRS$

$\overline{TR} \cong \underline{\overline{FG}}$

$\overline{TU} \cong \underline{\overline{VR}}$

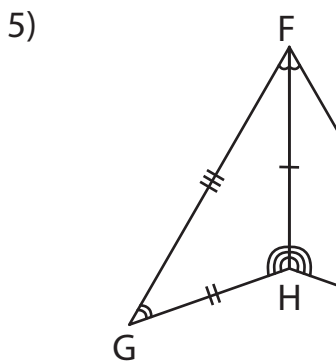
3) $\triangle PRQ \cong \triangle LMN$

4) $\triangle CDE \cong \triangle JKE$

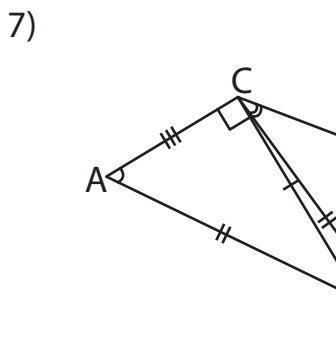
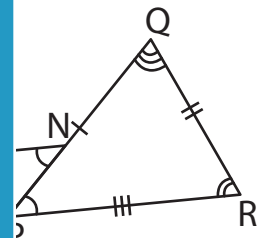
$\angle R \cong \underline{\angle M}$

$\angle E \cong \underline{\angle E}$

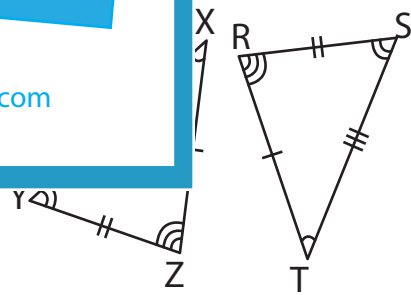
B) Complete each congruence statement.



$\angle G \cong \underline{\angle H}$



$\angle D \cong \underline{\angle A}$



$\overline{YZ} \cong \underline{\overline{SR}}$

9) If the triangles ACB and TRS are congruent, what is the corresponding part of \overline{AB} ?

$\underline{\overline{TS}}$

PREVIEW

Gain complete access to the largest collection of worksheets in all subjects!

Members, please log in to download this worksheet.

Not a member? Please sign up to gain complete access.

www.mathworksheets4kids.com