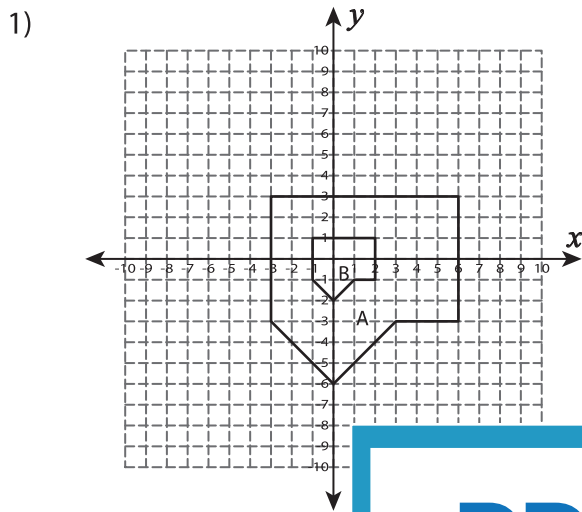
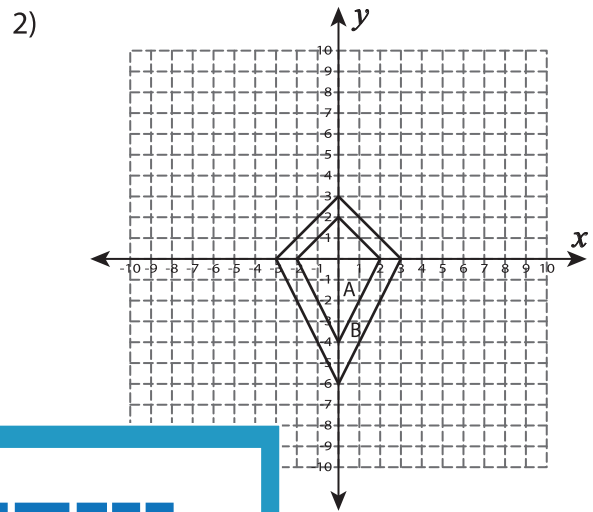


# Identifying Scale Factors

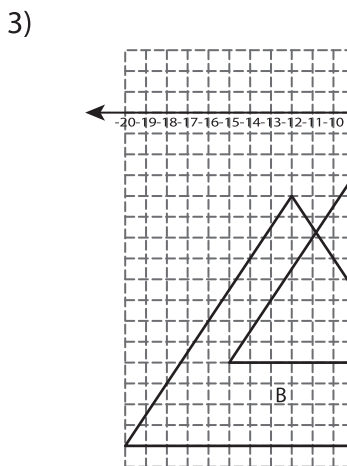
Figure A is a dilated image of figure B. Find the scale factor.



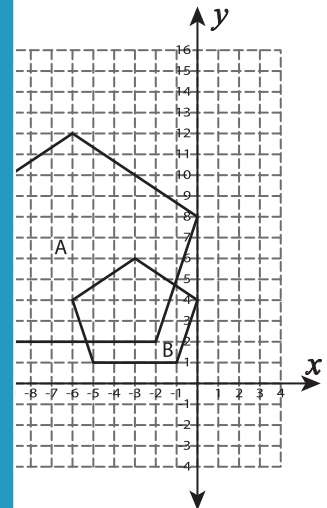
Scale factor = \_\_\_\_\_



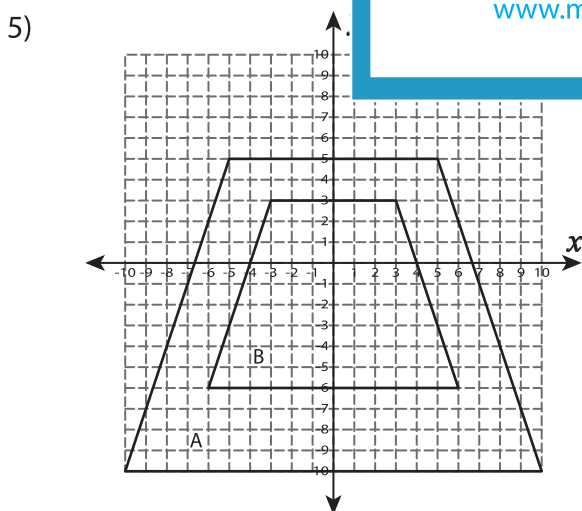
r = \_\_\_\_\_



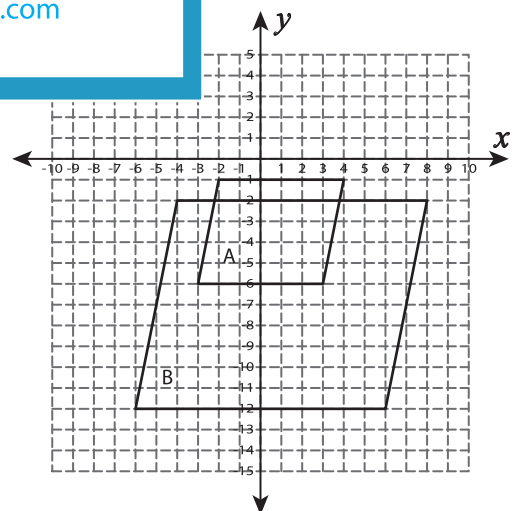
Scale factor = \_\_\_\_\_



r = \_\_\_\_\_



Scale factor = \_\_\_\_\_



Scale factor = \_\_\_\_\_

## PREVIEW

Gain complete access to the largest collection of worksheets in all subjects!

Members, please log in to download this worksheet.

Not a member? Please sign up to gain complete access.

[www.mathworksheets4kids.com](http://www.mathworksheets4kids.com)