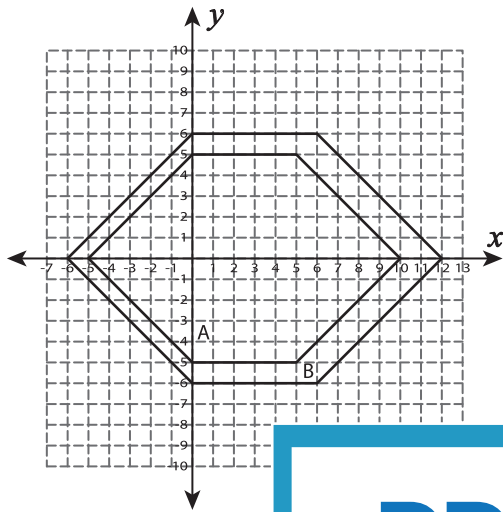


# Identifying Scale Factors

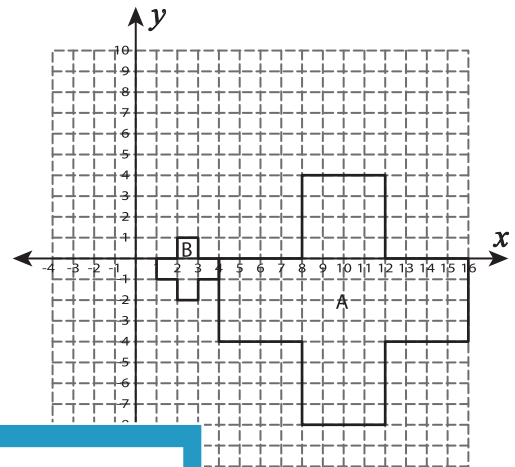
Figure A is a dilated image of figure B. Find the scale factor.

1)



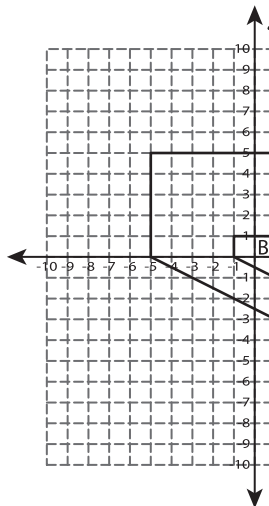
Scale factor = \_\_\_\_\_

2)

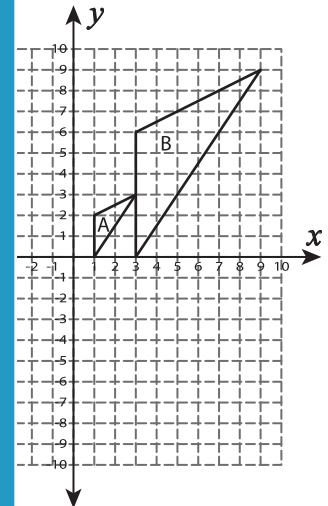


r = \_\_\_\_\_

3)

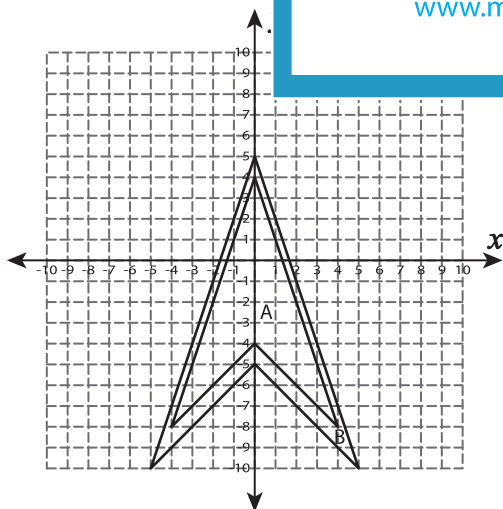


Scale factor = \_\_\_\_\_

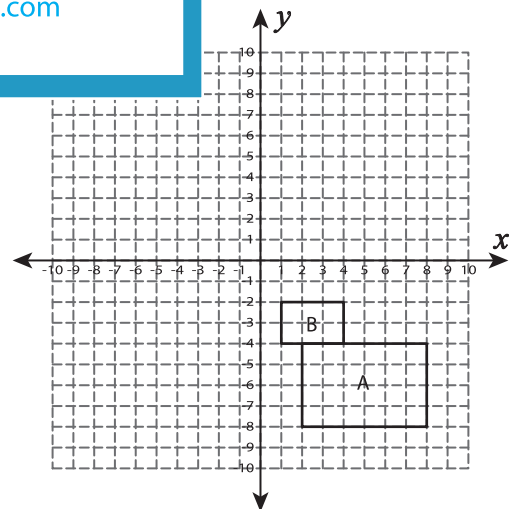


r = \_\_\_\_\_

5)



Scale factor = \_\_\_\_\_



Scale factor = \_\_\_\_\_

# PREVIEW

Gain complete access to the largest collection of worksheets in all subjects!

Members, please log in to download this worksheet.

Not a member? Please sign up to gain complete access.

[www.mathworksheets4kids.com](http://www.mathworksheets4kids.com)