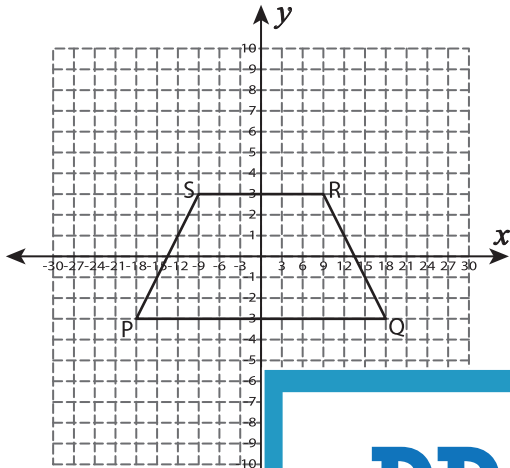


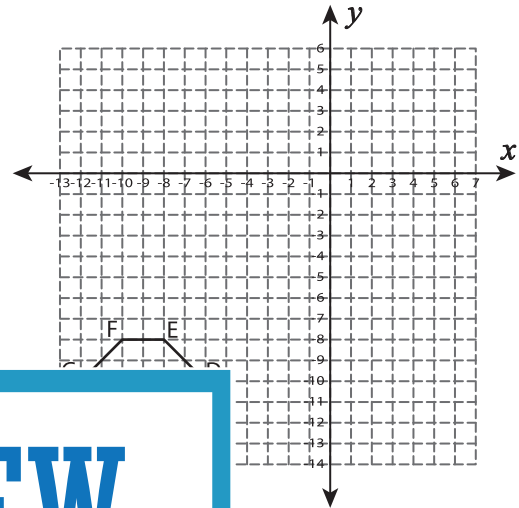
# Dilate the Shapes

Draw the dilated image with the given scale factor.

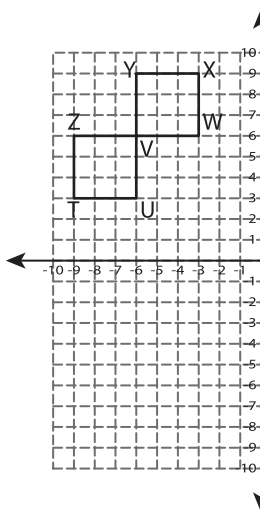
1) Scale factor =  $\frac{4}{3}$



2) Scale factor = 0.5



3) Scale factor =  $\frac{2}{3}$



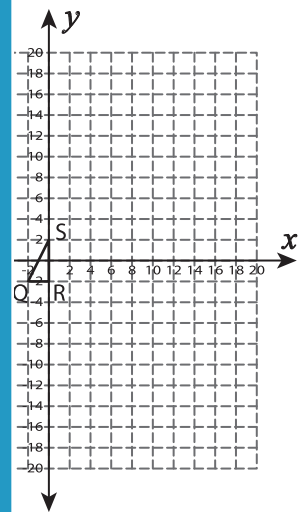
## PREVIEW

Gain complete access to the largest collection of worksheets in all subjects!

Members, please log in to download this worksheet.

Not a member? Please sign up to gain complete access.

[www.mathworksheets4kids.com](http://www.mathworksheets4kids.com)



5) Scale factor = 2.5

