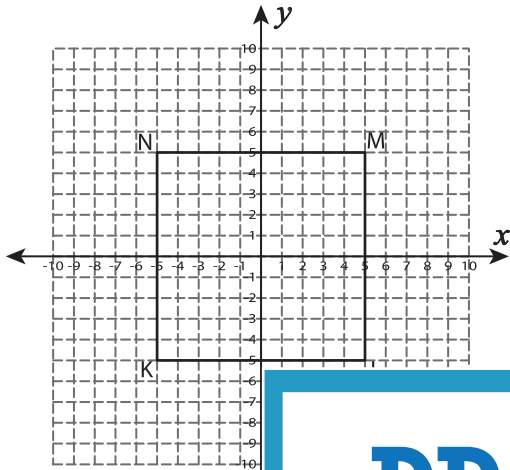


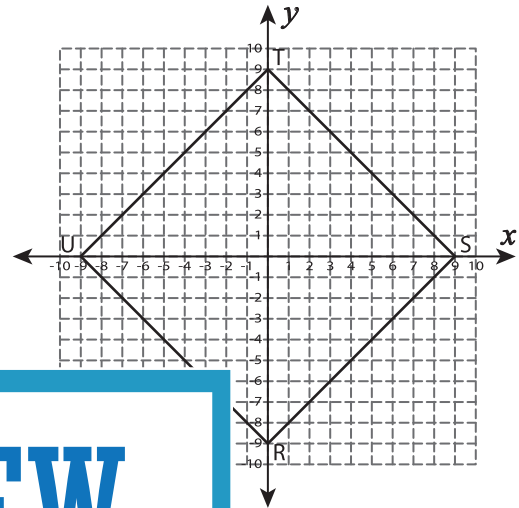
Dilate the Shapes

Draw the dilated image with the given scale factor.

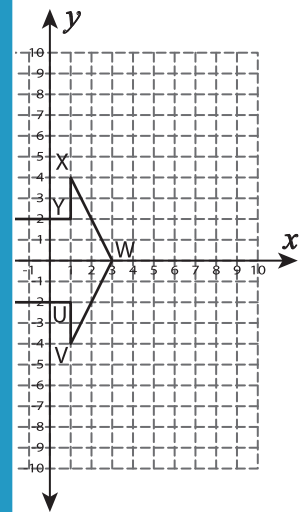
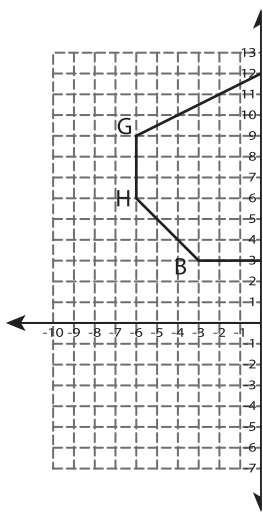
1) Scale factor = 1.6



2) Scale factor = $\frac{7}{9}$



3) Scale factor = $\frac{1}{3}$



PREVIEW

Gain complete access to the largest collection of worksheets in all subjects!

Members, please log in to download this worksheet.

Not a member? Please sign up to gain complete access.

www.mathworksheets4kids.com

5) Scale factor = $\frac{5}{2}$

