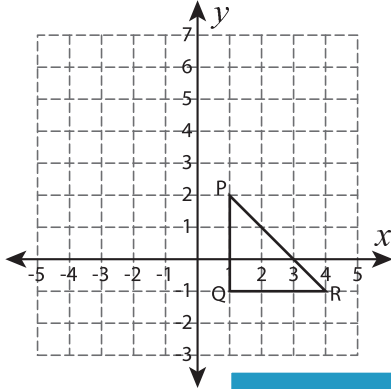


Write the New Coordinates

Graph the image of each figure after the given reflection. Also write the coordinates of the image.

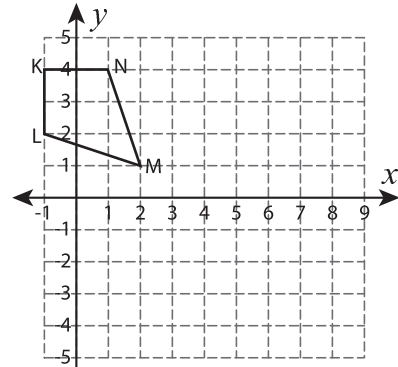
1) Reflection across the line $y = 3$



P' : _____ , Q' : _____

R' : _____

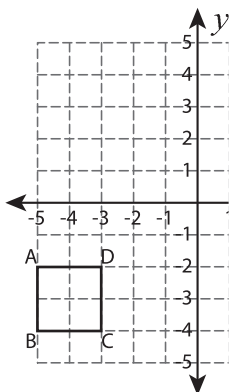
2) Reflection across the line $x = 4$



L' : _____

N' : _____

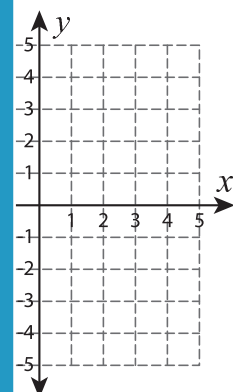
3) Reflection across the line $y = x$



A' : _____ , B' : _____

C' : _____ , D' : _____

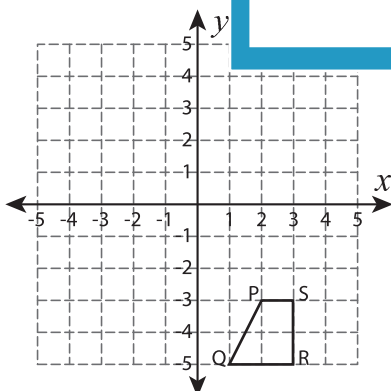
4) Reflection across the line $y = x$



T' : _____

V' : _____

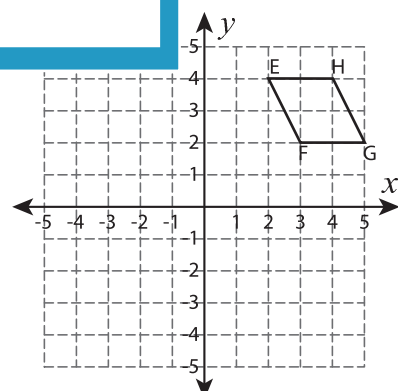
5) Reflection across the y-axis



P' : _____ , Q' : _____

R' : _____ , S' : _____

6) Reflection across the y-axis



E' : _____ , F' : _____

G' : _____ , H' : _____

PREVIEW

Gain complete access to the largest collection of worksheets in all subjects!

Members, please log in to download this worksheet.

Not a member? Please sign up to gain complete access.

www.mathworksheets4kids.com