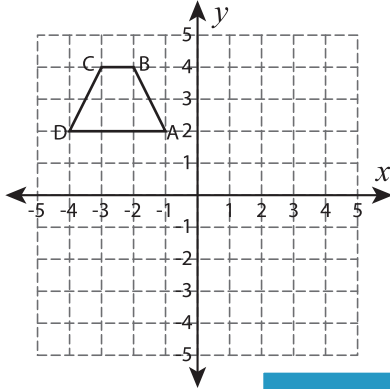


**Write the New Coordinates**

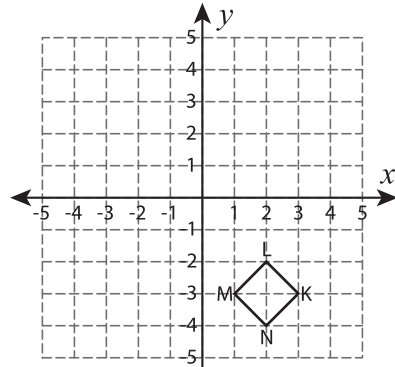
Graph the image of each figure after the given transformation. Also write the coordinates of the image.

1) Reflection across the x-axis



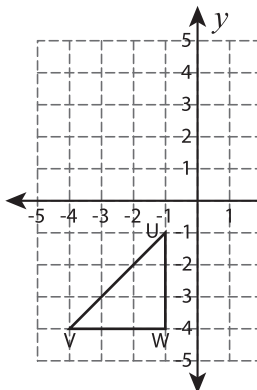
A' : \_\_\_\_\_, B' : \_\_\_\_\_  
C' : \_\_\_\_\_, D' : \_\_\_\_\_

2) Translate 3 units up and 2 units right



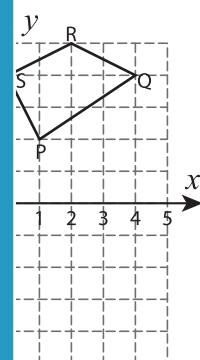
L' : \_\_\_\_\_  
N' : \_\_\_\_\_

3) 90° clockwise rotation



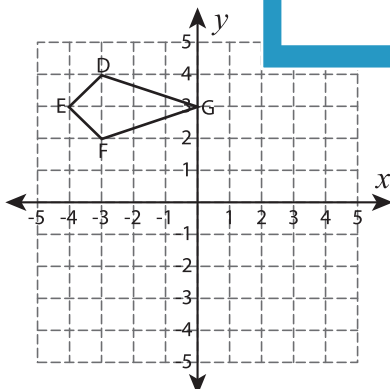
U' : \_\_\_\_\_, V' : \_\_\_\_\_  
W' : \_\_\_\_\_

the line  $y = 1$



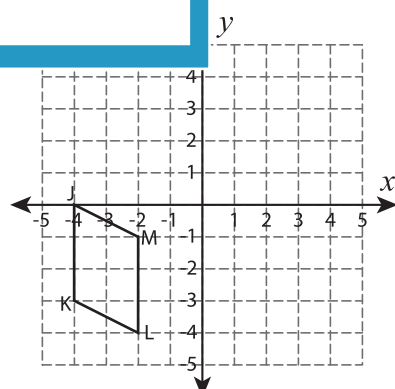
Q' : \_\_\_\_\_  
S' : \_\_\_\_\_

5) Translate 4 units down



D' : \_\_\_\_\_, E' : \_\_\_\_\_  
F' : \_\_\_\_\_, G' : \_\_\_\_\_

at the origin



J' : \_\_\_\_\_, K' : \_\_\_\_\_  
L' : \_\_\_\_\_, M' : \_\_\_\_\_

**PREVIEW**

Gain complete access to the largest collection of worksheets in all subjects!

Members, please log in to download this worksheet.

Not a member? Please sign up to gain complete access.

[www.mathworksheets4kids.com](http://www.mathworksheets4kids.com)